

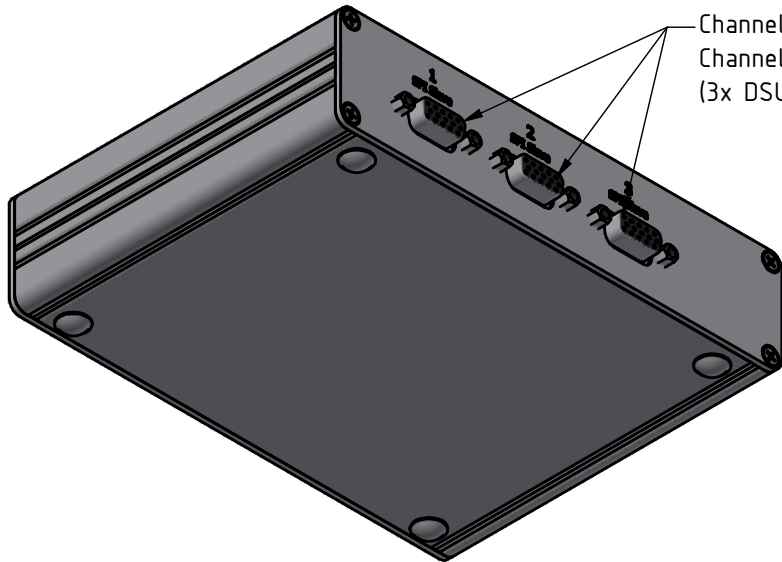
SPI Master Input
(DSUB 15pin)

Ethernet
(RJ45)

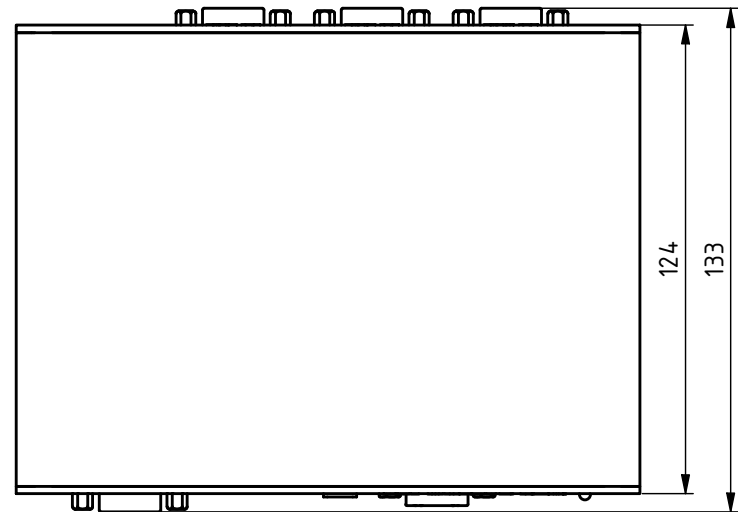
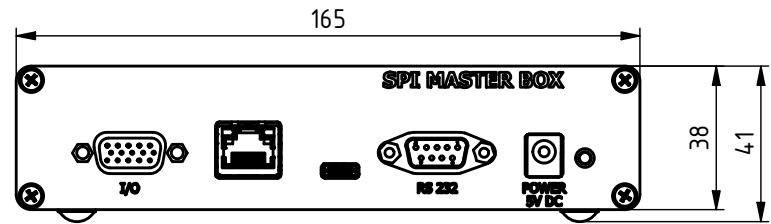
USB-C

RS232
(DSUB 9pin)

Power supply connector
(low voltage socket
2.1mm x 6.3mm)



SPI Slave Output
Channel 1
Channel 2
Channel 3
(3x DSUB 15pin)



part.-no.		part.-name	
E-730-820Z4		SPI Master Box	
file name		OK: date/sign.	
PE730820Z4.idw			
		scale	
		1:2	
		customers drawing piezosystem jena	