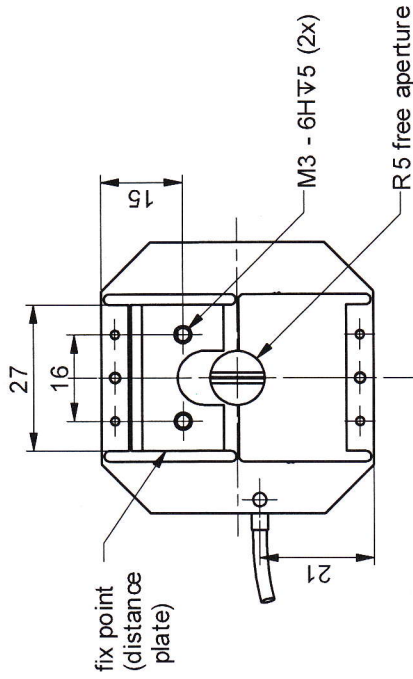
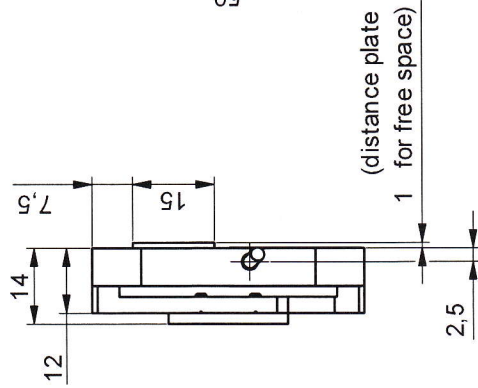


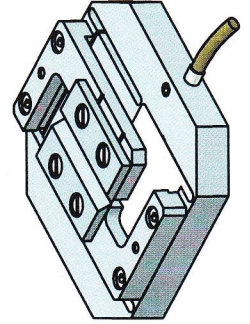
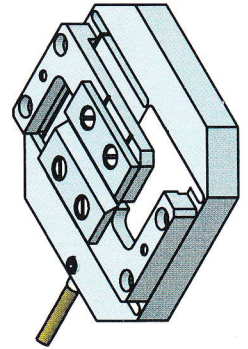
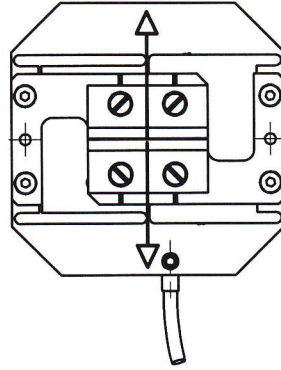
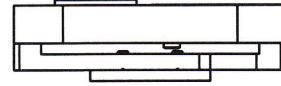
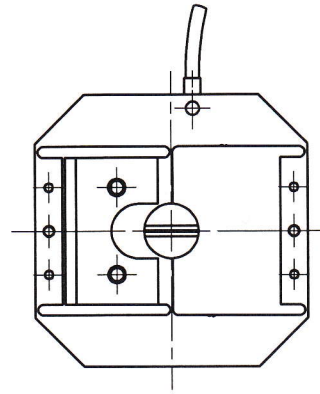
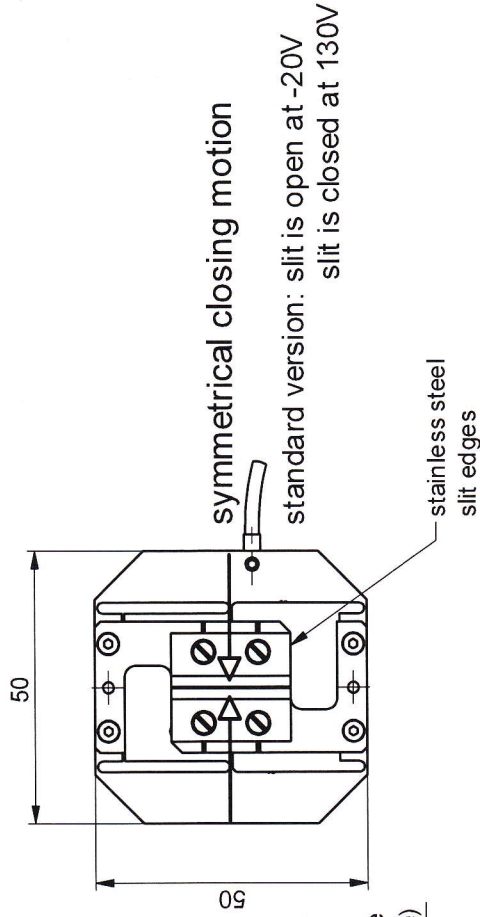
BOTTOM



SIDE



TOP



ORIGINAL

illustration with stainless steel slit edges

part.-no.	O-101-80	part.-name	PZS4
file name	PO10180	OK: date/sign.	18 MAR 2010
		REV02	
		scale	3:4
			customers drawing
			piezosystem jena