

MIPOS 16

Lens Turret System



16µm Adjustment Range
(Open Loop)



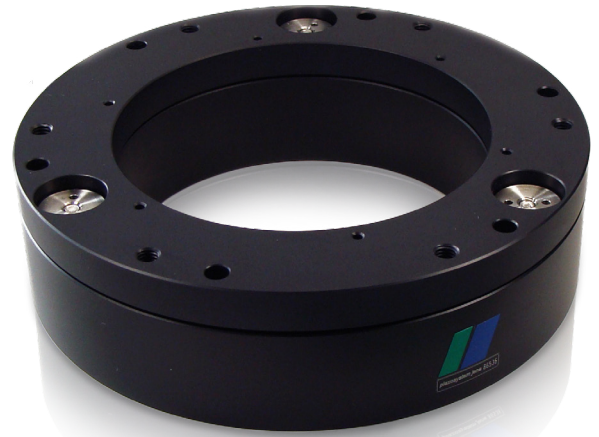
High Stiffness for Lowest Settling Times and Lateral Run-out



Typ. Step Resolution 0.04 nm



Additional Load up to 3 kg



The MIPOS is specifically designed for high precision positioning of optical systems with accuracy in the sub-nanometer range. The positioner is suitable for **4" and 6" objectives**. Other sizes are available on request.

Based on its unique design, which includes an **aperture up to 104 mm** and a **stage height down to 42 mm**, the MIPOS 16 offers technical specifications that match the requirements for white light interferometry. It can achieve a **focus range of up to 16 µm** and a **single-step resolution of less than 0.1 nm**, while operating at a **voltage range between -20 and 130 V**.

The MIPOS 16 is made for integration into metrology set-ups and devices. The robust drive is equipped with a high resolution piezo based actuating system. The internal mechanical pre-load design enables the MIPOS to operate in highly dynamic environments while reducing the settling time down to microseconds.

Variants:

- 2 size versions

Recommended Controller:

- NV200/D Net

Applications

- Metrology
- White light interferometry
- Probe alignment
- Phase shifting
- Surface scanning processes

MIPOS 16

Technical Data

	Unit	MIPOS 16-158	MIPOS 16 M85
Part #	-	O-309-50	O-309-10
Axis	-		Z
Motion in Open Loop (±10%)*	µm		16
Capacitance (±20%)**	µF		5.4
Integrated measurement system	-		none
Resolution Open Loop***	nm		0.04
Resonant Frequency	unloaded		823
	with load 3000g	Hz	247
Stiffness	N/µm		8.2
max. Load	kg		3
Rotational Error (full mo- tion)	µrad		<8
Voltage	V		-20...+130
Connector	-		LEMO 0S.302
Cable Length	m		1.0
Material	-		Aluminum
Dimensions (Ø x H)	mm	Ø158 x 42	Ø93 x 50
Central Aperture	mm	Ø104	Ø61
Mass	g	1240	300

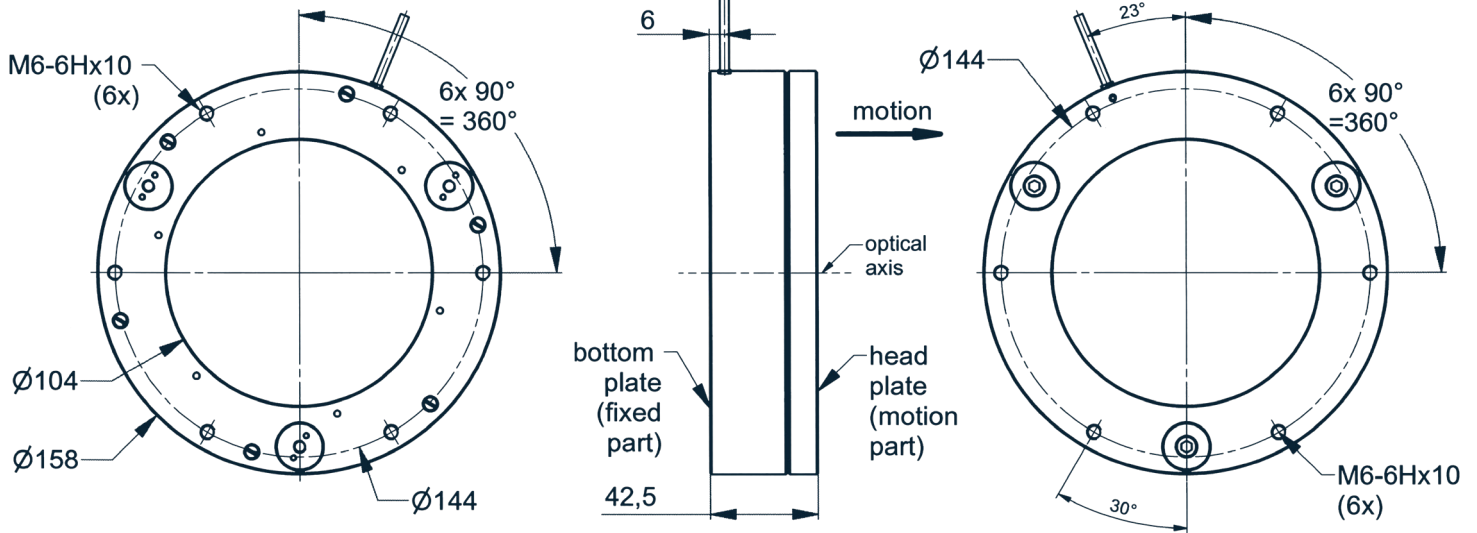
* Typical value measured with 0.3 mV noise controller.

** Typical value for a small electrical field strength.

*** The resolution is only limited by the noise of the controller.

MIPOS 16

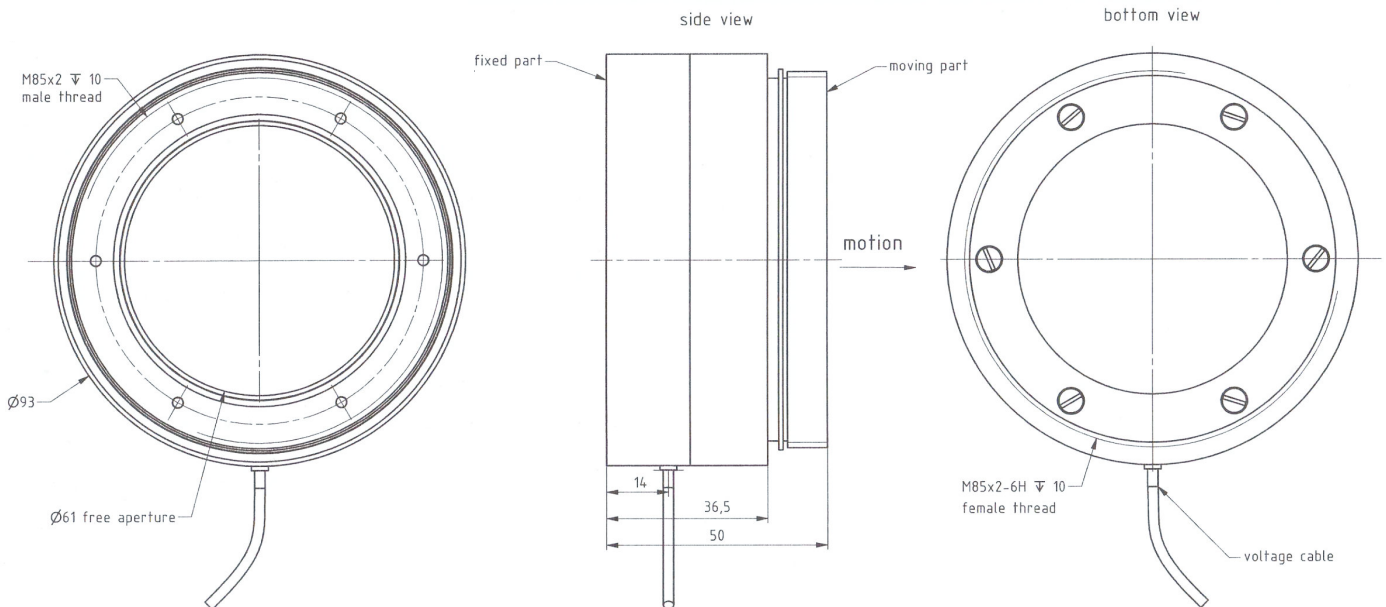
Part Drawing



top view

side view

bottom view



Dimensions given in mm.

Rights reserved to change specifications as progress occurs without notice.

piezosystem jena GmbH
Tel: +49 (3641) 66880
E-Mail: info@piezोजना.com

piezosystem jena, Inc.
Tel: +1-508-634-6688
E-Mail: contact@psj-usa.com

www.piezosystem.com