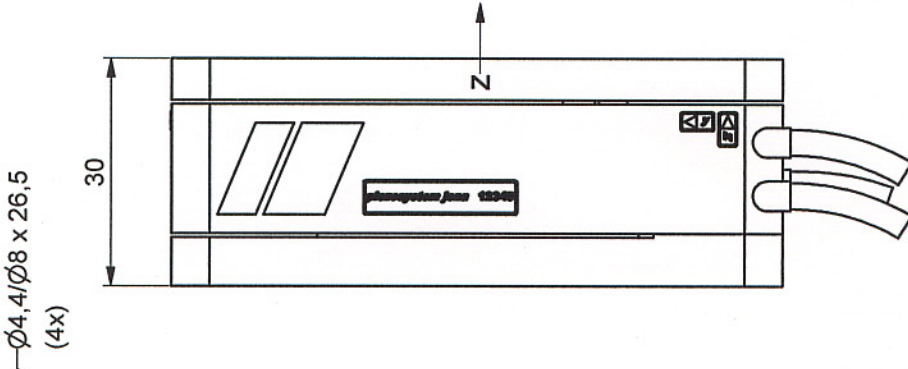
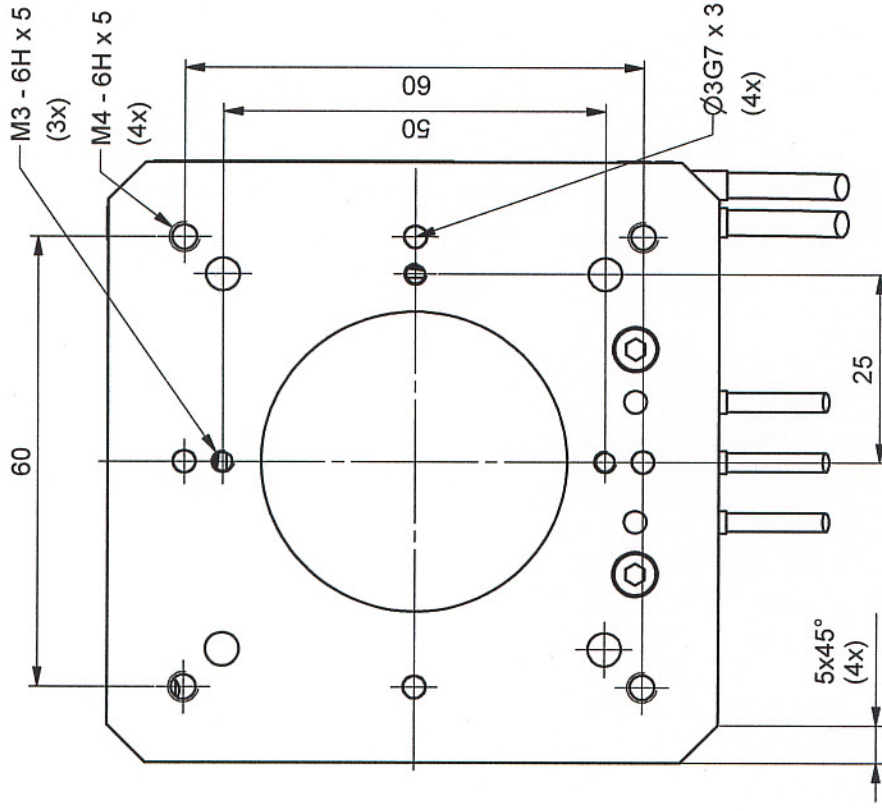
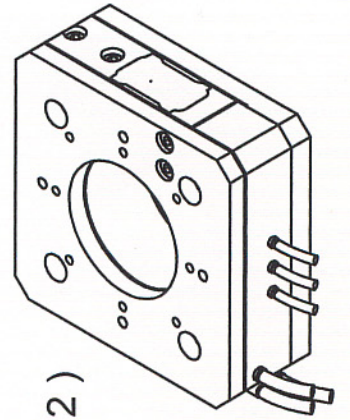
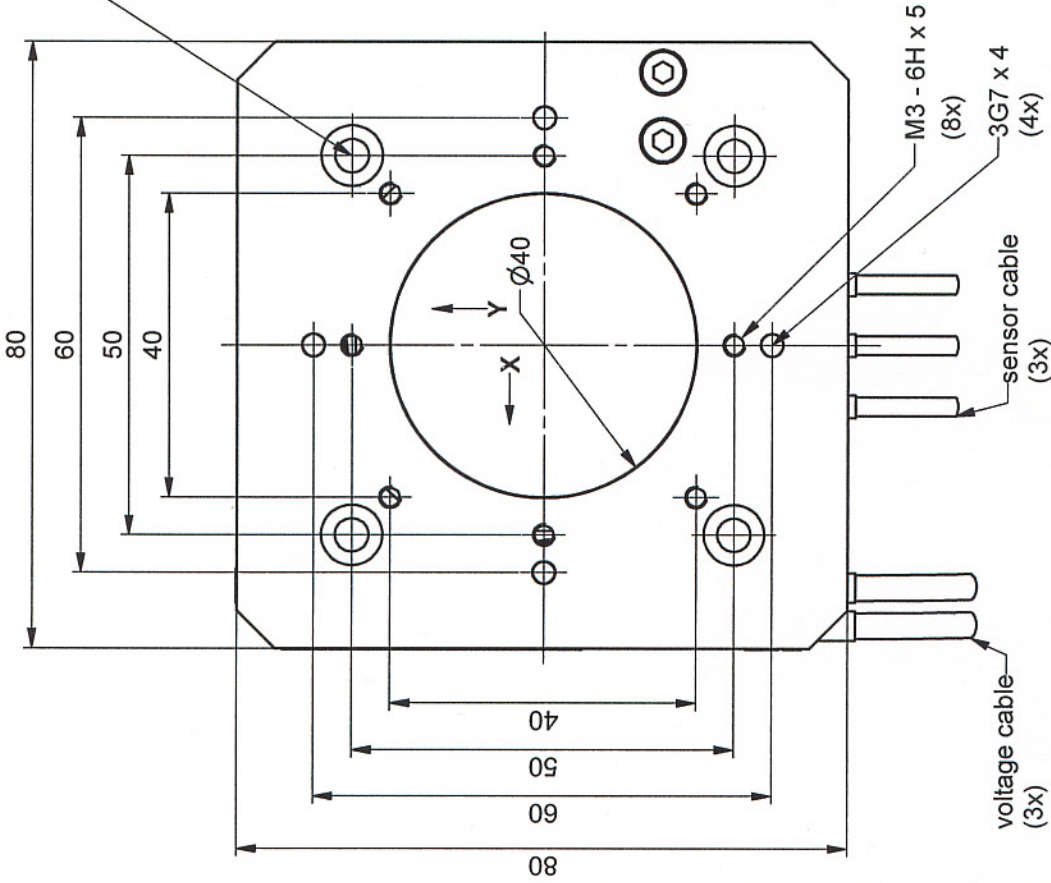


BASE



TOP



(1:2)

part.-no.	T-405-01(E/D)	part.-name	Tritor 102 SG
file name	PT40501	OK: date/sign.	17. DEZ. 2000
		scale	1:1
		customers drawing piezosystem jena	

ORIGINAL