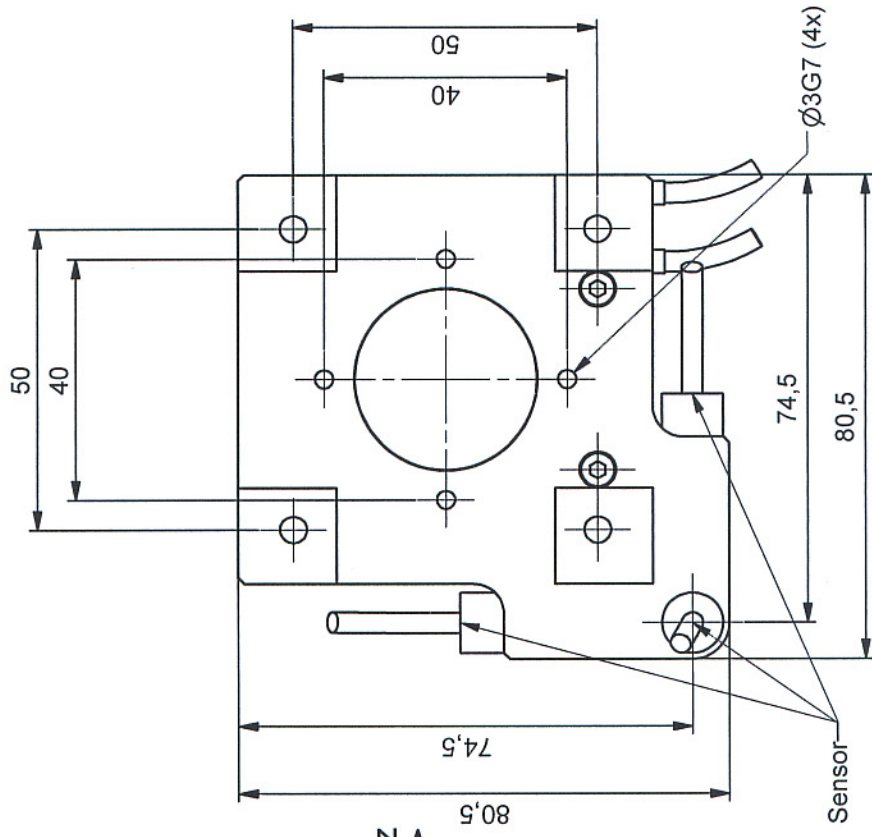


BOTTOM



TOP

REV 1: change of voltage cable exiting

part.-no.	T-404-06D	part.-name	Tritor 101 CAP
file name	PT40406	OK. date/sign.	3. DEZ. 2007 <i>me</i>
	REV 1	customers drawing	piezosystem jena
		scale	1:1

ORIGINAL