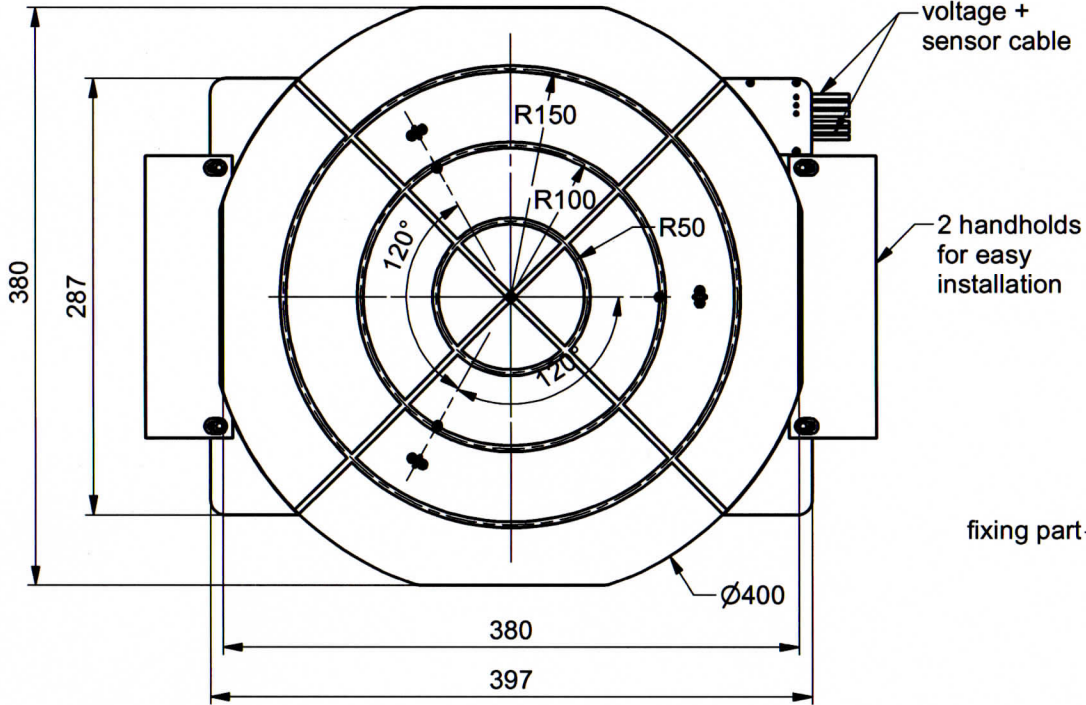
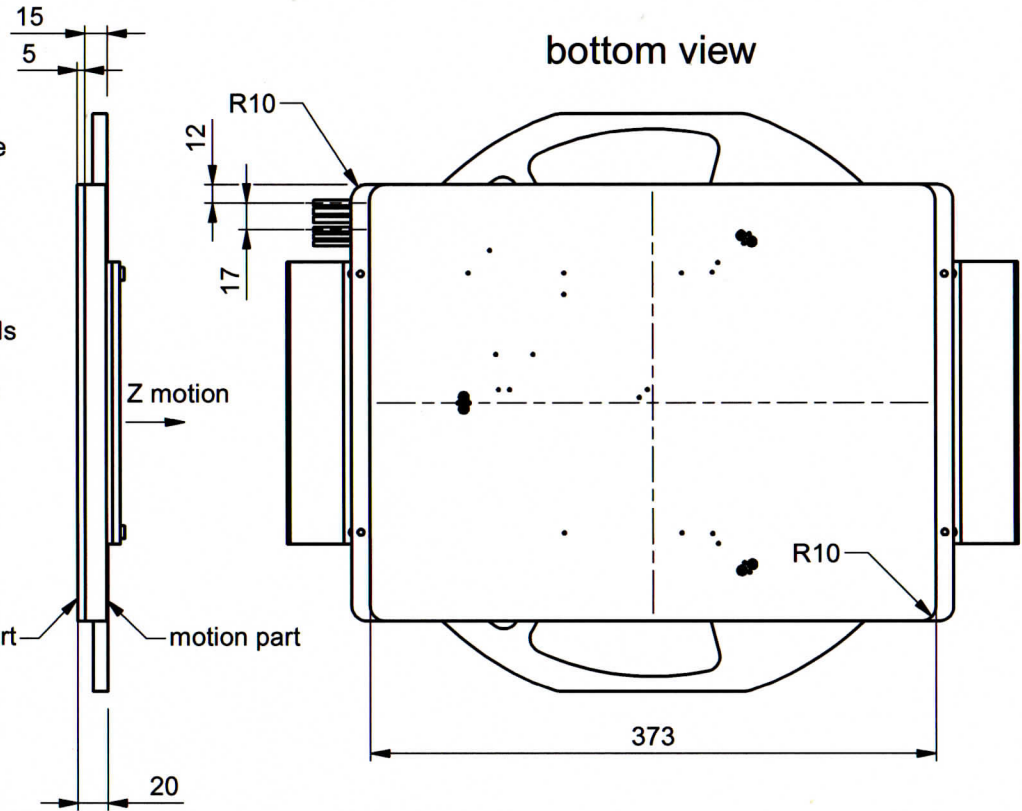


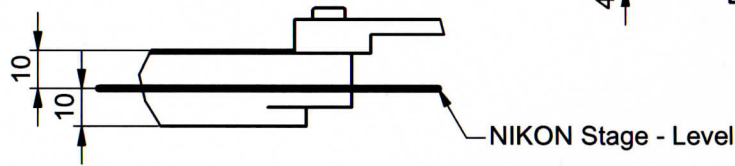
top view



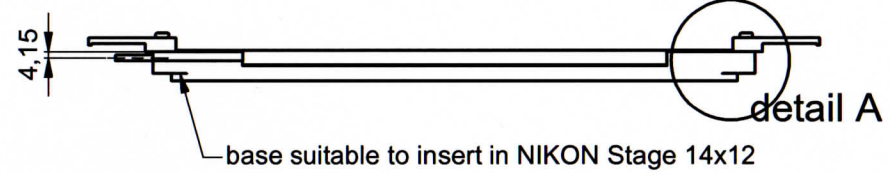
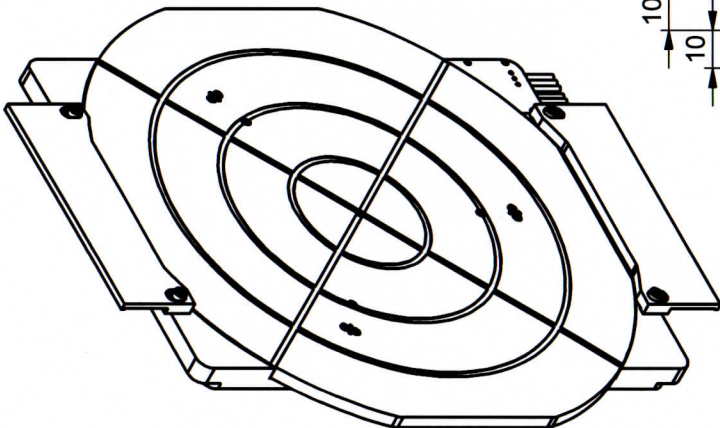
bottom view



detail A (1 : 2)



model (1 : 5)



cable length on request

ORIGINAL

part.-no.	S-627-51D	part.-name	PZ 250 CAP WL
file name	PS62751D.idw	OK: date/sign.	30. JULI 2014
		scale	1:5
		customers drawing piezosystem jena	