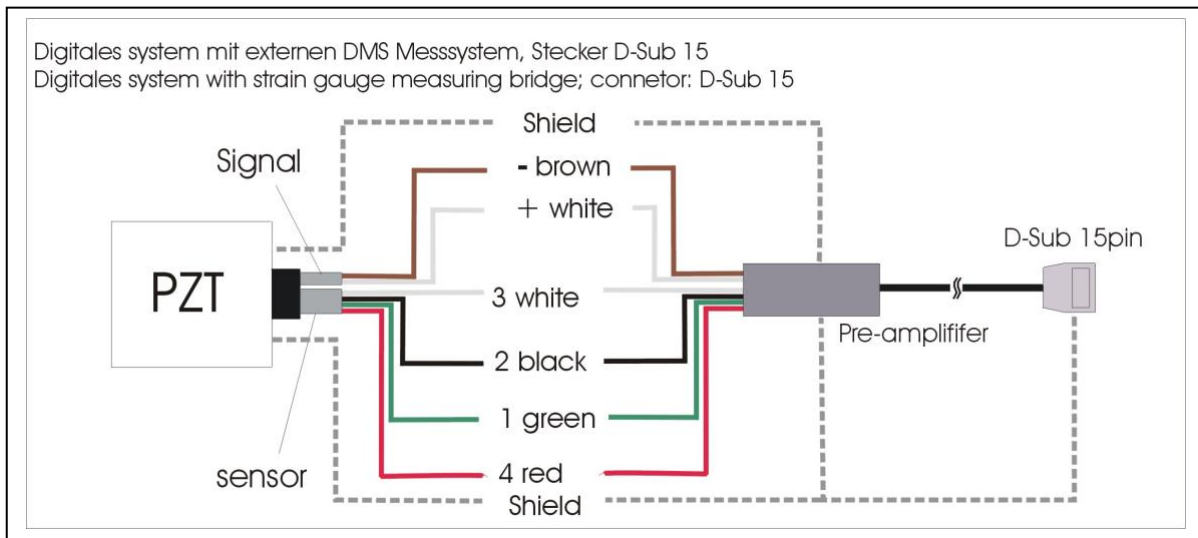
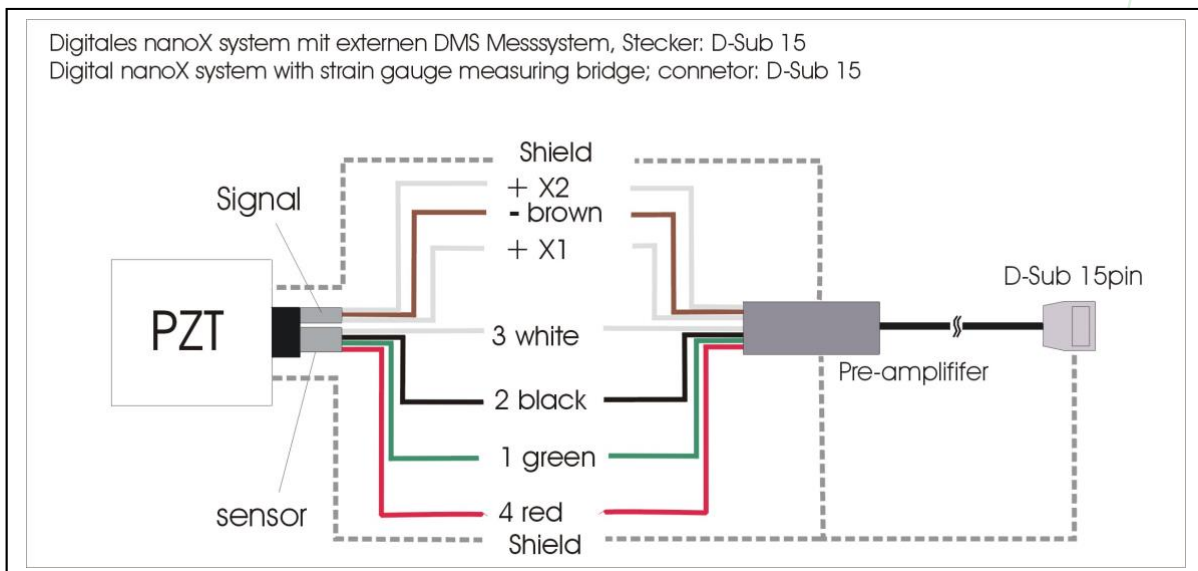


## Pin Belegung / pin connection

For piezo actuators and stages from *piezosystem jena* with integrated strain gauge feedback sensor system

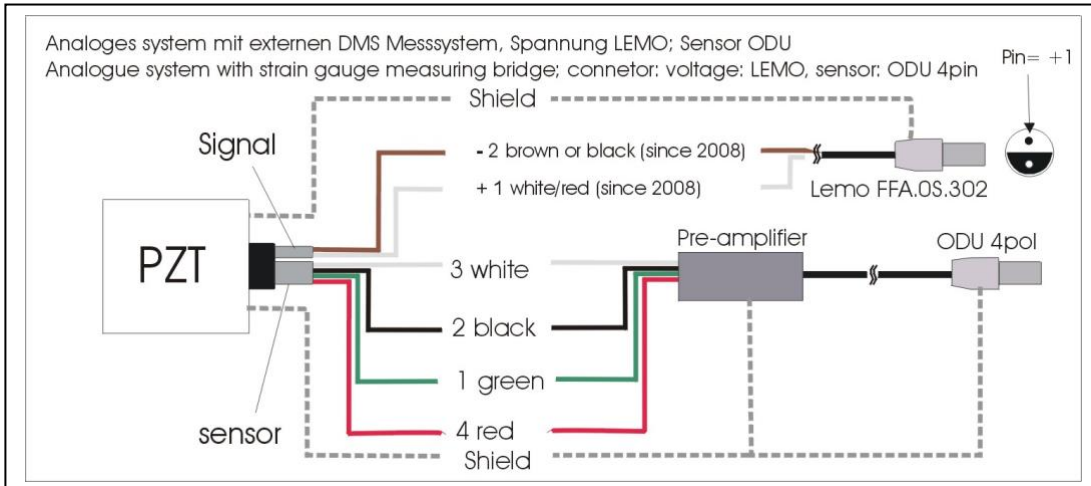


Valid for all non nanoX system with strain gauge sensor and suffix “D” added to the part number

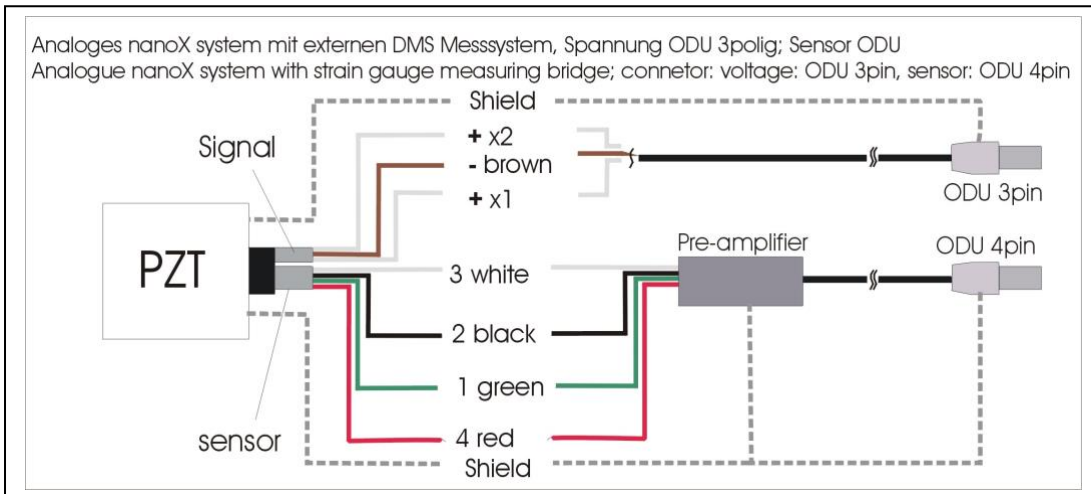


Valid for all nanoX system with strain gauge sensor and suffix “D” added to the part number

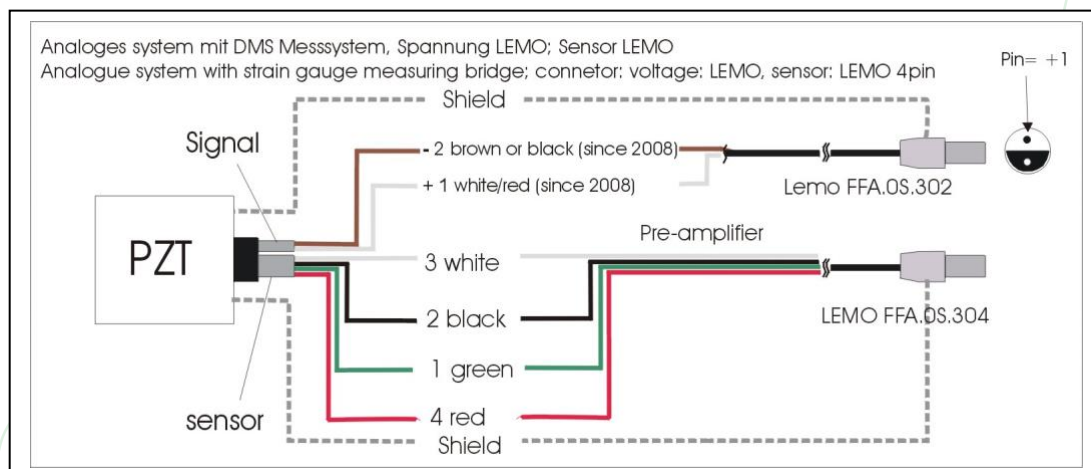
Es gelten die unter [www.piezosystem.de](http://www.piezosystem.de) einsehbaren Allgemeinen Geschäftsbedingungen sowie die elektronischen Nutzungsbedingungen.



Valid for all non nanoX system with strain gauge sensor and suffix “E” added to the part number



Valid for all nanoX system with strain gauge sensor and suffix “E” added to the part number

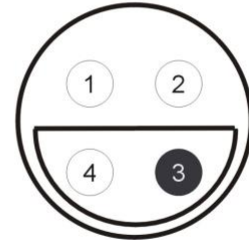
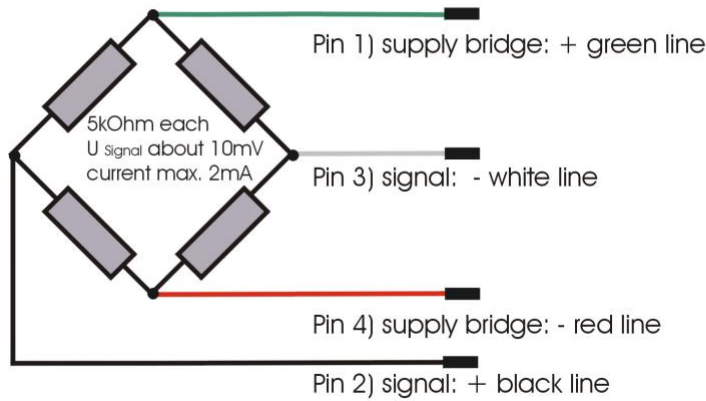


Valid for all systems with strain gauge sensor without external sensor signal pre-amplifier.

Es gelten die unter [www.piezosystem.de](http://www.piezosystem.de) einsehbaren Allgemeinen Geschäftsbedingungen sowie die elektronischen Nutzungsbedingungen.

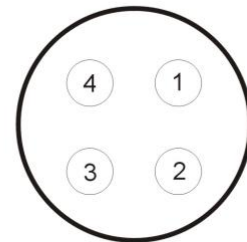
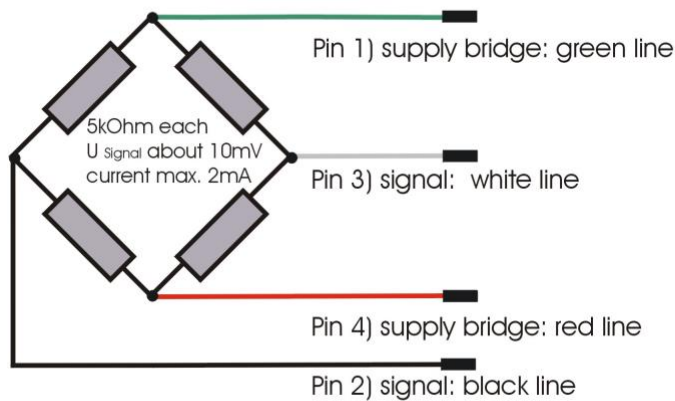
**Wiring diagram of the strain gauge measuring bridge (LEMO FFA.0S.304)**

Standard supply bridge:  $\pm 3V \dots \pm 12V$



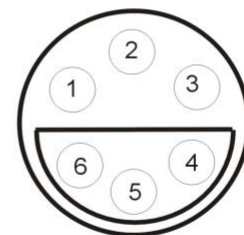
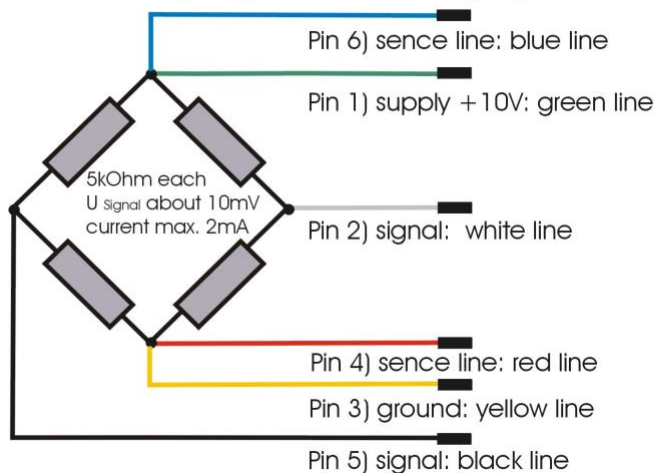
Pins at the LEMO connector  
(view from outside)

**Wiring diagram of the strain gauge measuring bridge (ODU ) for system with external sensor pre-amplifier (actuator part number with suffix "E")**



Pins at the ODU connector  
(view from the outside of the connector)

**Wiring diagram of the strain gauge measuring bridge (LEMO FFA.1S.306)**



Pins at the LEMO connector  
(view from outside)

Es gelten die unter [www.piezosystem.de](http://www.piezosystem.de) einsehbaren Allgemeinen Geschäftsbedingungen sowie die elektronischen Nutzungsbedingungen.