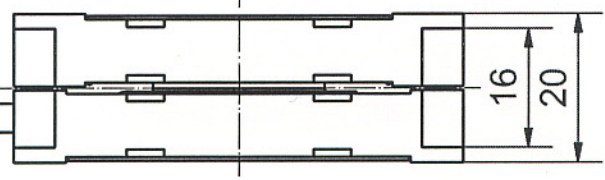
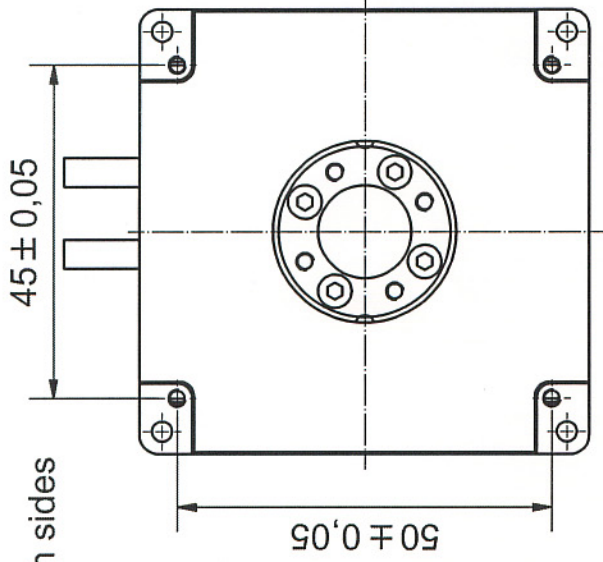
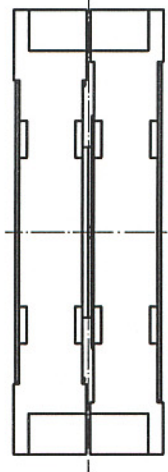
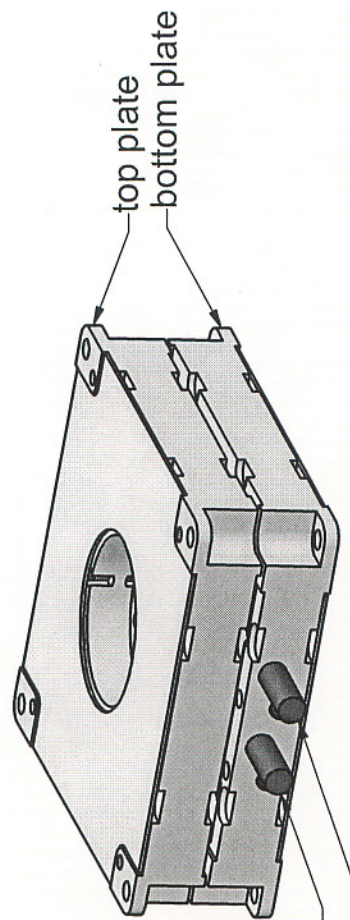
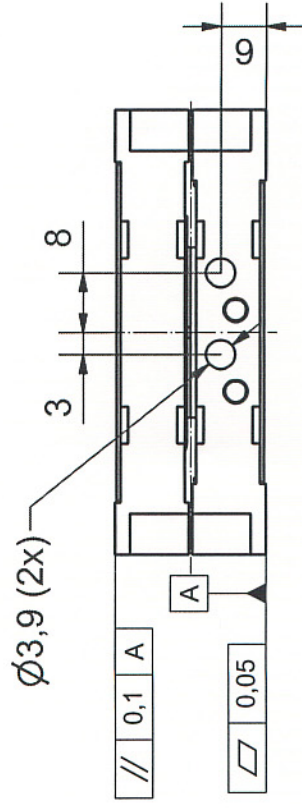
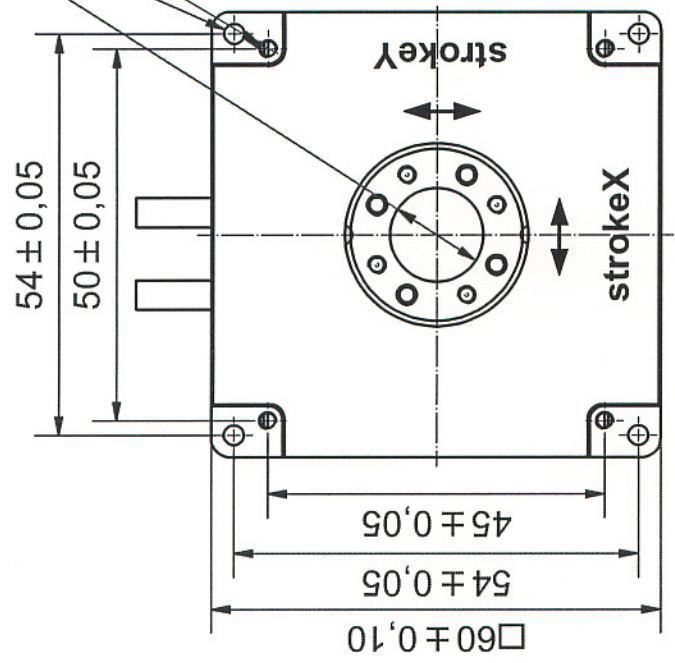


ORIGINAL



Ø12,5 clearance
 Ø2,7 thru (4x)
 M2.5x0.45 - 6H V6 (4x9 on both sides)



part.-no.	T-224-00	part.-name	nanoSXY400
file name		OK: date/sign.	18. JULI 2005 <i>wa</i>
		scale	1:1
		customers drawing	piezosystem jena