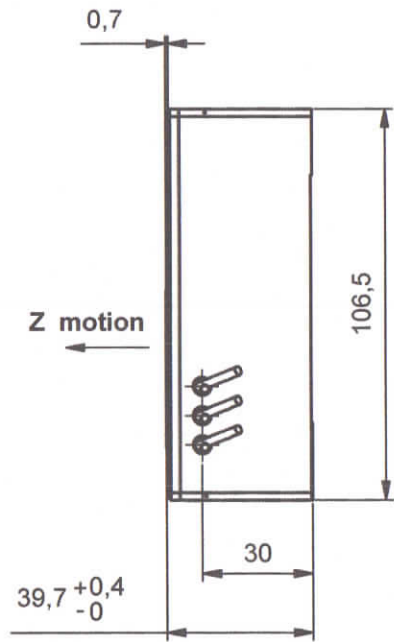
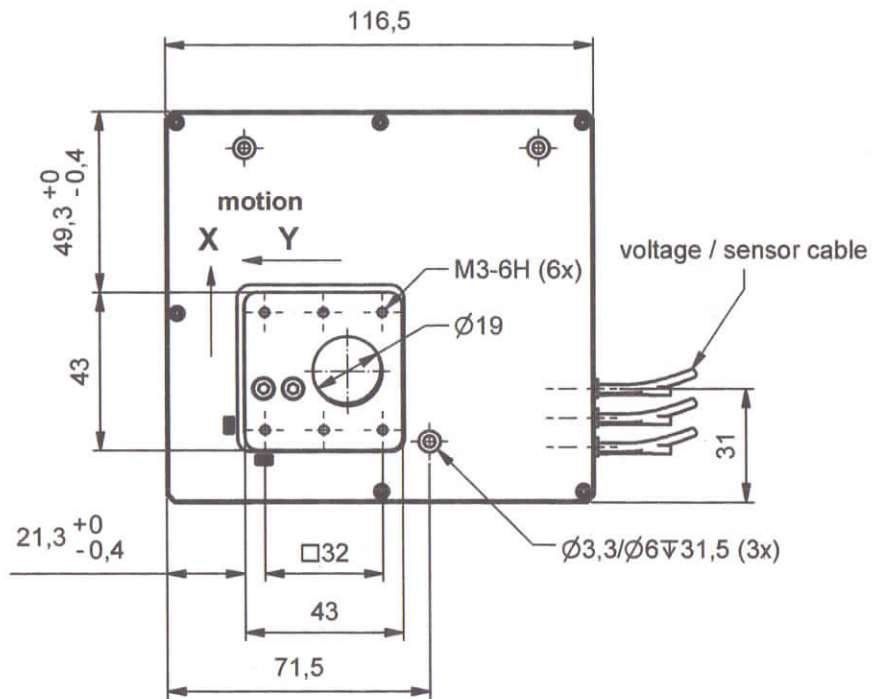


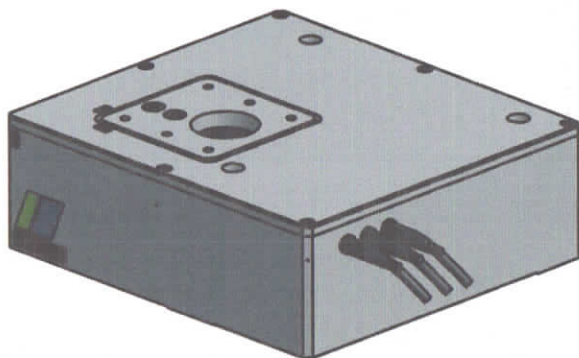
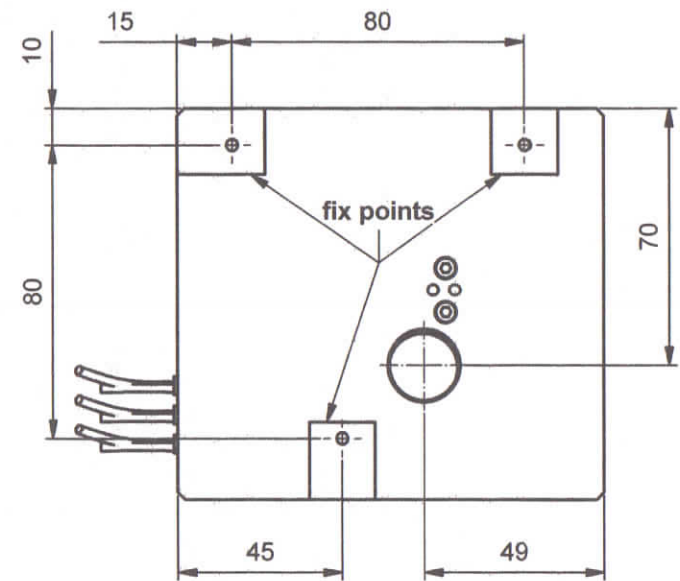
side view



top view



bottom view



Achtung
[Attention]:

ORIGINAL

Alle Abmaße gelten für TRITOR 400 (SG)
in Standard- oder Vakuumausführung.
[All dimensions relevant for TRITOR 400 (SG)
standard or with vacuum option.]

[T-406-00(D)/T-406-01(E,D)]

part-no.		part-name	
T-406-01(00)		Tritor 400 SG	
file name	rev.02	OK: date/sign:	
PT40601		26. APR. 2021	
scale		customers drawing	
1:2		piezosystem jena	