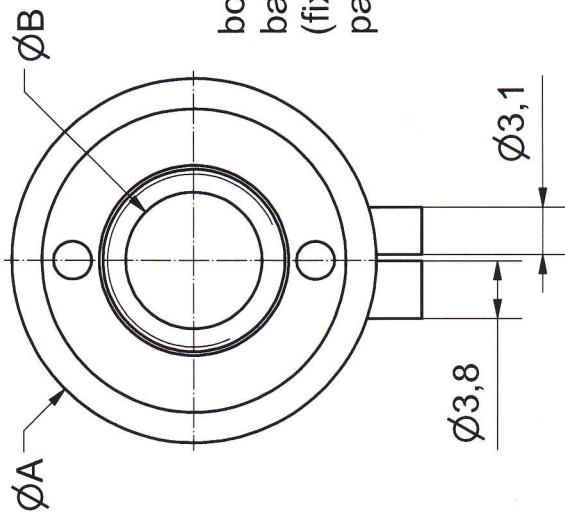
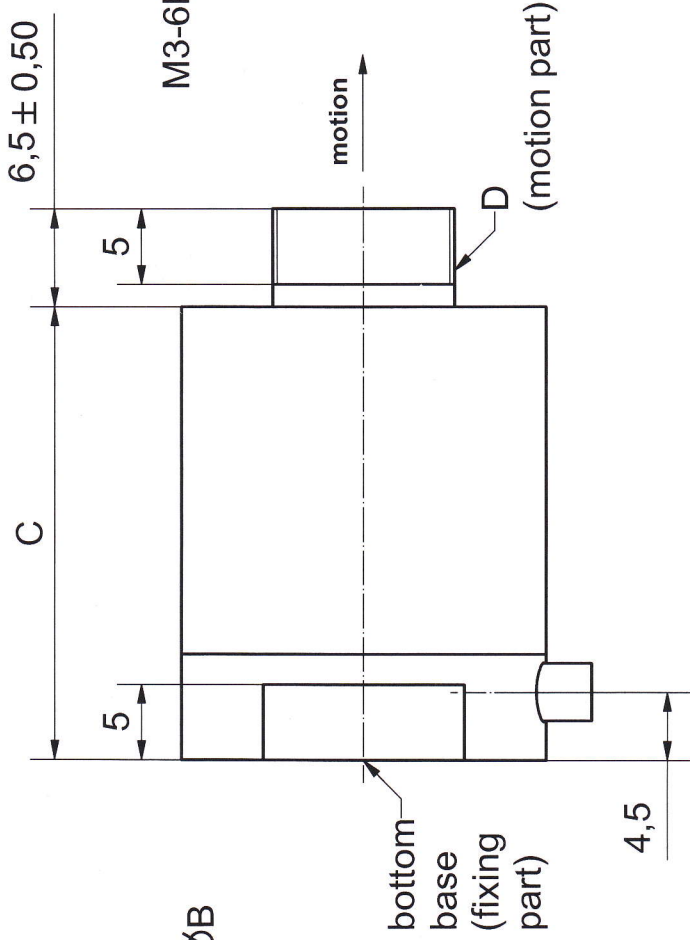


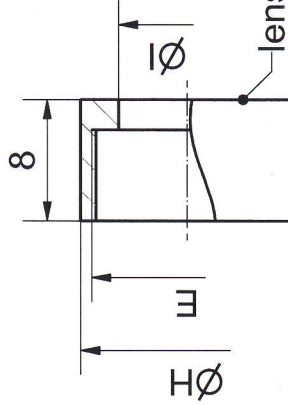
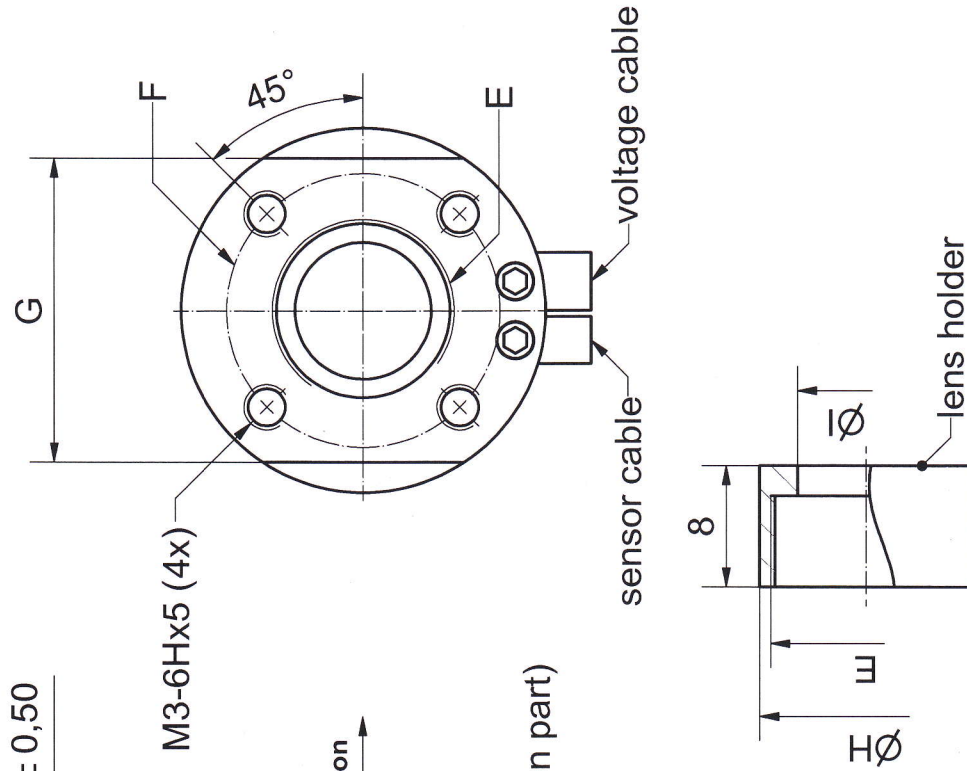
top view



side view



bottom view



ORIGINAL

standard cable length 1.2m (EXT/DIG 2m)

part name	RA 12/24 SG	RA 25/24 SG	RA 50/24 SG	RA 12/35 SG	RA 25/35 SG	RA 50/35 SG
part number	P-401-11	P-402-11	P-405-11	P-403-11	P-404-11	P-406-11
A outer diameter	24	24	24	35	35	35
B clearance	9	9	9	14	14	14
C length	30	43,5	70,5	30	43,5	70,5
D male thread	M12x0.5-6g	M12x0.5-6g	M12x0.5-6g	M18x0.5-6g	M18x0.5-6g	M18x0.5-6g
E female thread	M12x0.5-6H x5	M12x0.5-6H x5	M12x0.5-6H x5	M18x0.5-6H x5	M18x0.5-6H x5	M18x0.5-6H x5
F bolt hole circle	18	18	18	24	24	24
G spanner flats	20	20	20	27	27	27
H lensholder outer dia	14	14	14	20	20	20
I lensholder inner dia	9	9	9	14	14	14

part-no.	P-40x-11	part-name	RA xx/xx SG
file name	PP40x11	OK: date/sign.	30 AUG. 2011
		scale	2:1
		customers drawing	piezosystem jena