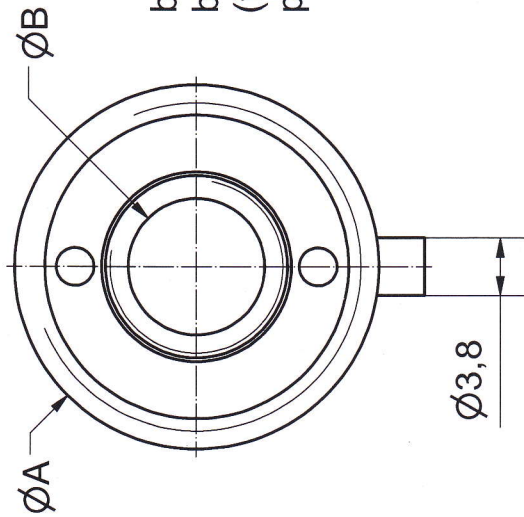
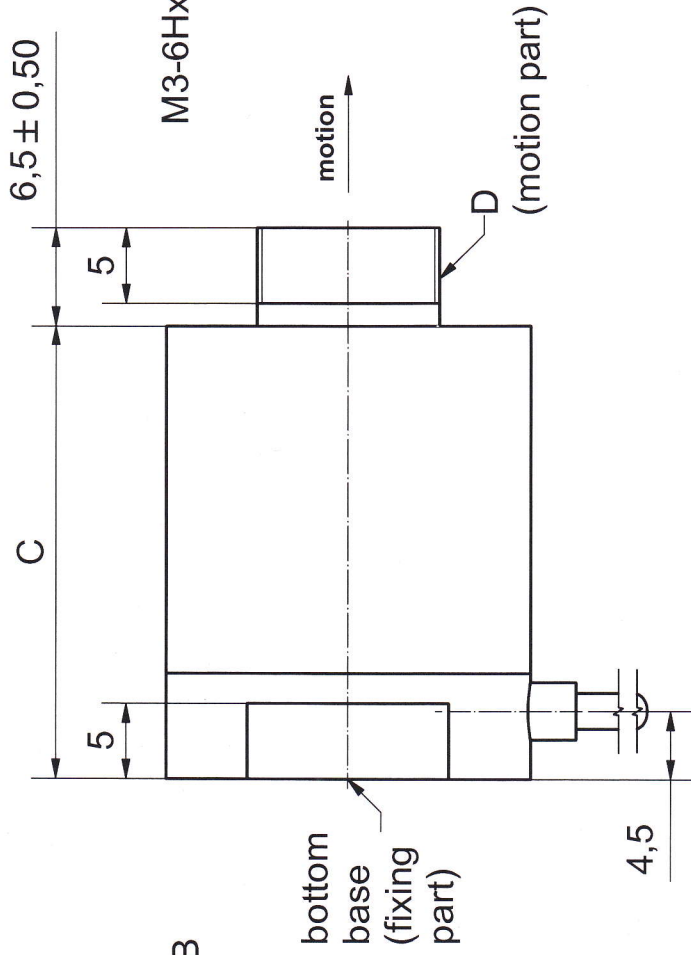


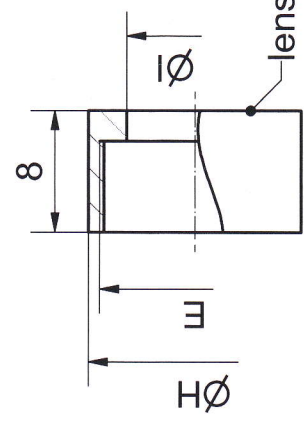
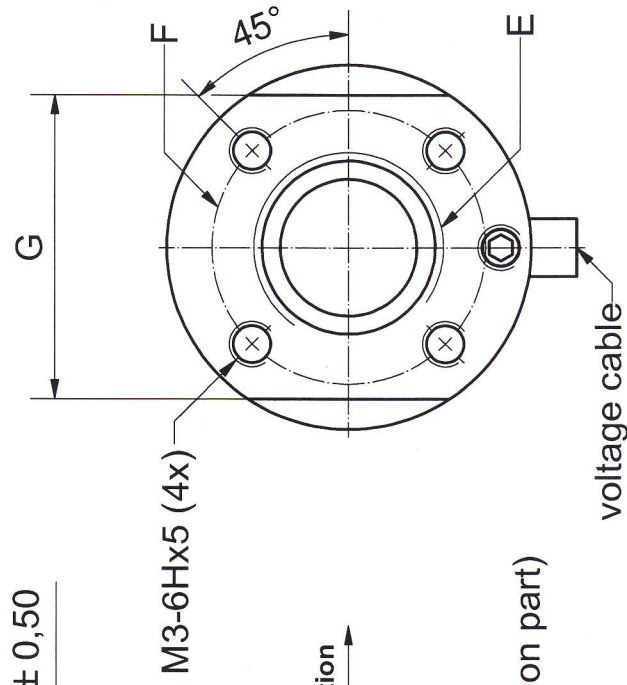
top view



side view




bottom view



ORIGINAL

standard cable length 1m

part name	RA 12/24	RA 25/24	RA 50/24	RA 12/35	RA 25/35	RA 50/35
part number	P-401-10	P-402-10	P-405-10	P-403-10	P-404-10	P-406-10
A outer diameter	24	24	24	35	35	35
B clearance	9	9	9	14	14	14
C length	30	43,5	70,5	30	43,5	70,5
D male thread	M12x0.5-6g	M12x0.5-6g	M12x0.5-6g	M18x0.5-6g	M18x0.5-6g	M18x0.5-6g
E female thread	M12x0.5-6H x5	M12x0.5-6H x5	M12x0.5-6H x5	M18x0.5-6H x5	M18x0.5-6H x5	M18x0.5-6H x5
F bolt hole circle	18	18	18	24	24	24
G spanner flats	20	20	20	27	27	27
H lensholder outer dia	14	14	14	20	20	20
I lensholder inner dia	9	9	9	14	14	14

part-no.	P-40x-10		part-name	RA xx/xx
file name	PP40x10		OK: date/sign.	30.4.06. 2011
	scale	2:1		
	customers drawing piezosystem jera			