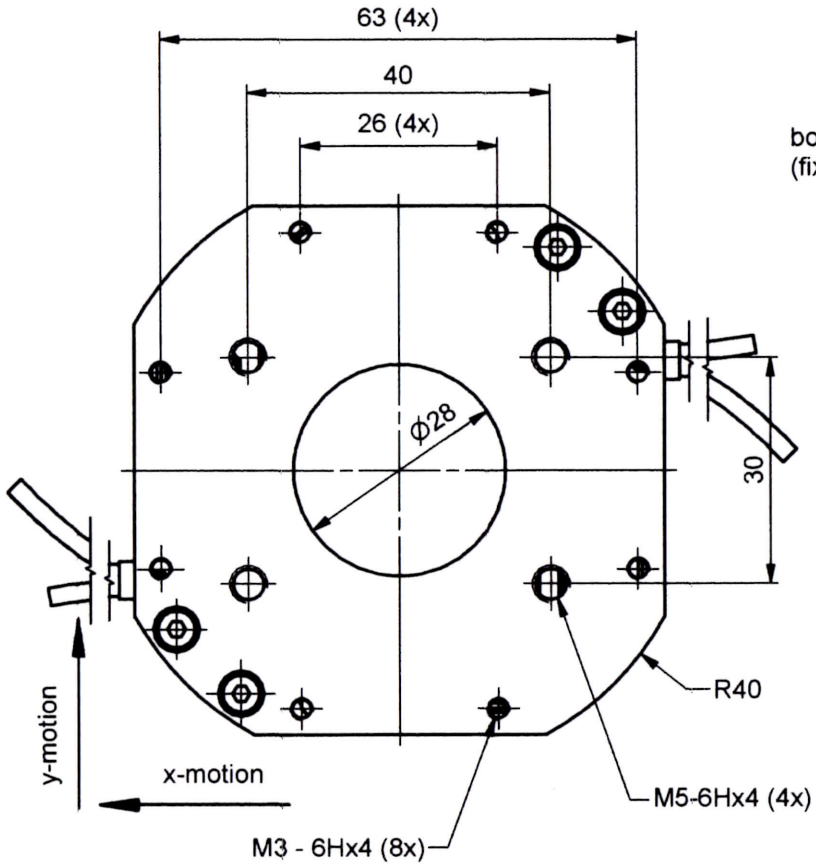
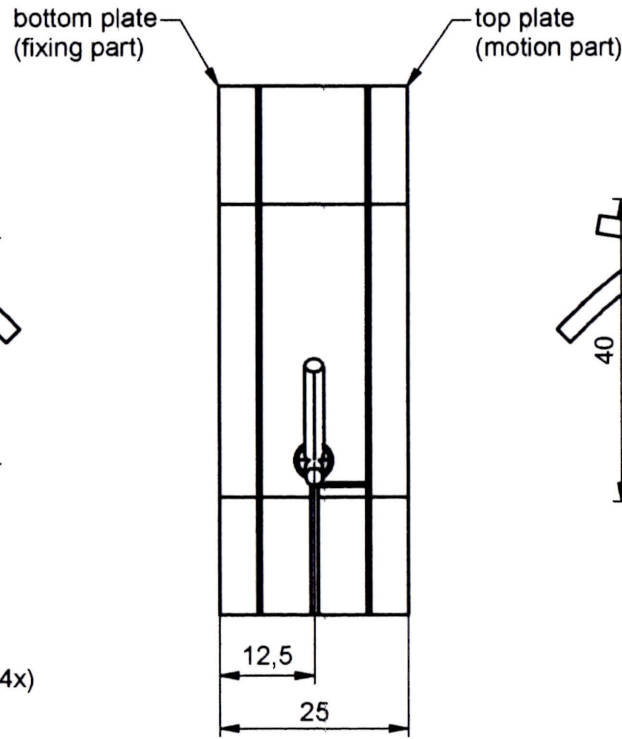


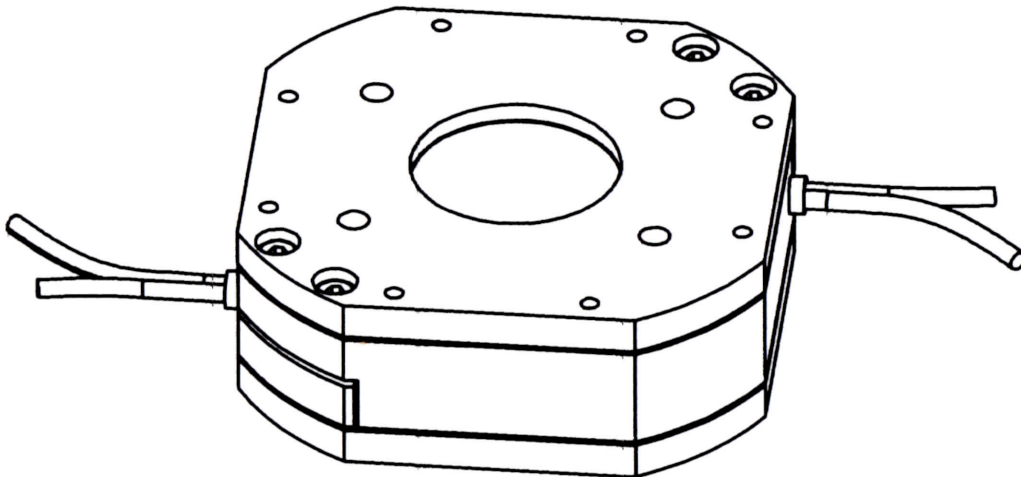
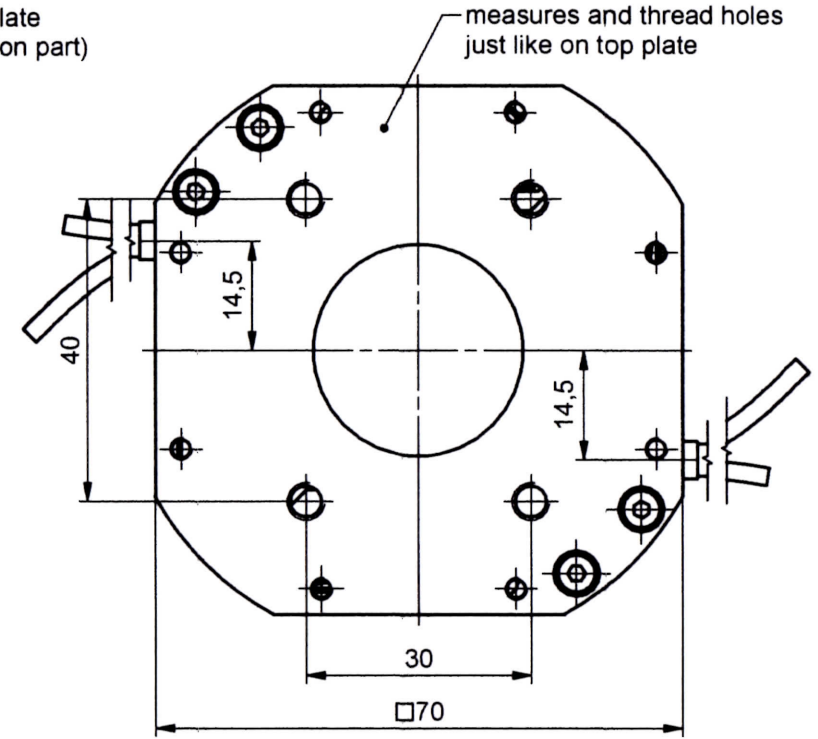
top view



side view



bottom view



ORIGINAL

part-no. T-227-0x		part-name PXY 200 (SG)	
file name PT22701ÄZ2	rev. 2	OK: date/sign. 23. MRZ. 2023	
		scale 1:1	customers drawing piezosystem jena