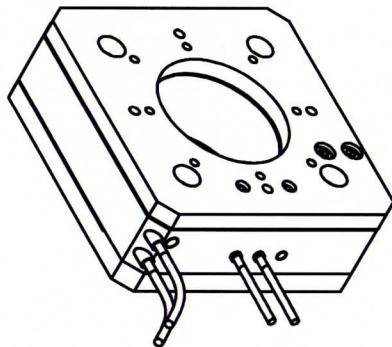


model (1 : 2)



cable length
 standard version 1,2m
 external / digital version 2m
 vacuum version on request

ORIGINAL

part.-no.	T-205-x1 (D/E)	part.-name	PXY 102 SG (DIG) (VAC)
file name	PT205x1	OK: date/sign.	15. JULI 2014
		scale	1:2
		customers drawing piezosystem jena	