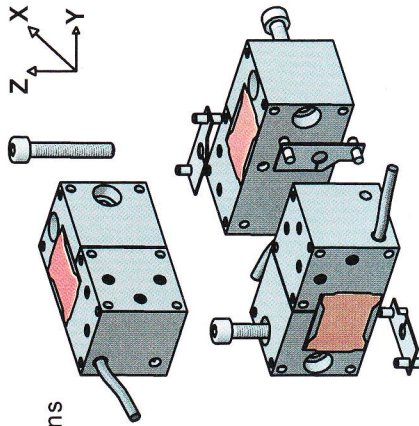
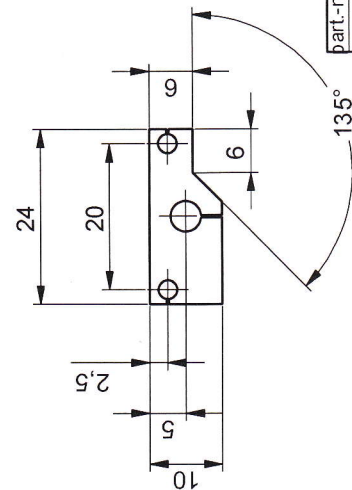
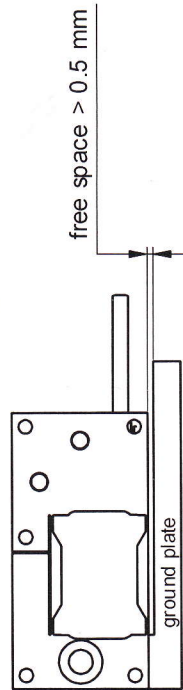


configuration zxy



translator can be combined in XY, XZ, and XYZ configurations (catalog part-no.: T-504-00 / T-505-00)

please note that there must be a space between the translators and the plate onto which it is fixed, otherwise the movement will be hindered and the actuator can be destroyed



distance plate for attachment can be mounted on different positions
thickness 0.5 mm

ORIGINAL

This drawing is valid for part-no.:
T-501-00 PU 90
T-502-00 PU 100
T-503-00 PU 100 HL

part.-no.	T-50x-00	part.-name	PU 90 / 100 (HL)
file name	PT50x00	OK: date/sign.	23. NOV 2010
		rev.	01
		scale	1:1
		customers drawing	piezosystem jena