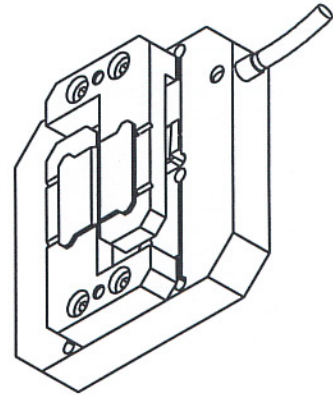


* : without SLIT EDGES

- Options:
 -Silicon Slit Edges
 -Stainless Steel Slit Edges

Drawing is valid for PZS 1 VAC (O-101-02) too.



part.-no.	O-101-00	part.-name	PZS 1
file name	PO10100	OK: date/sign.	15. JULI 2003
		scale	1:1
		customers drawing	piezosystem jena

ORIGINAL