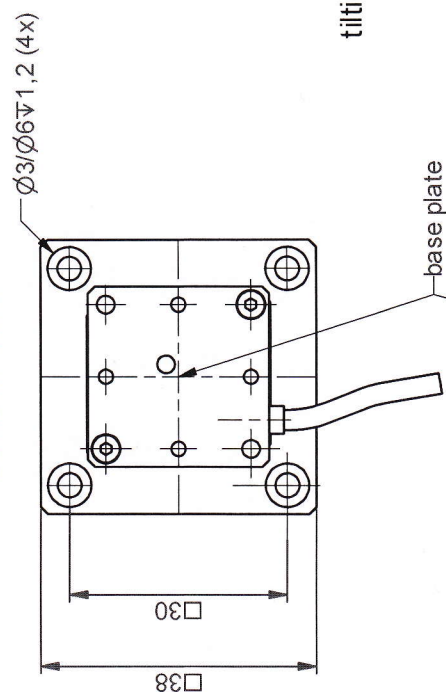
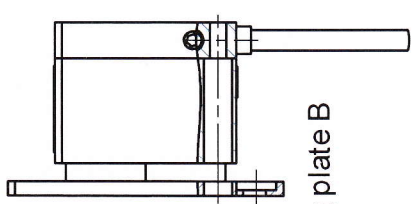




bottom view

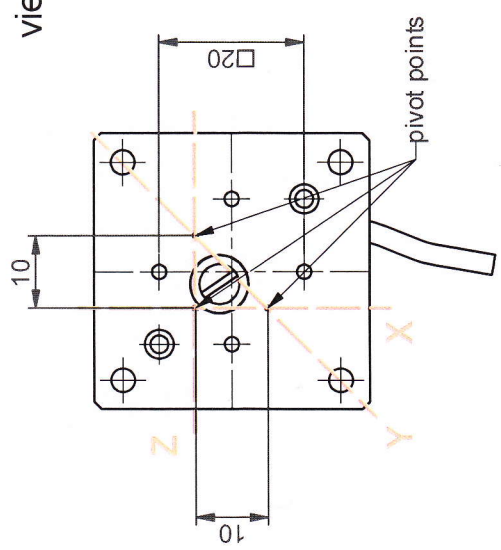


side view

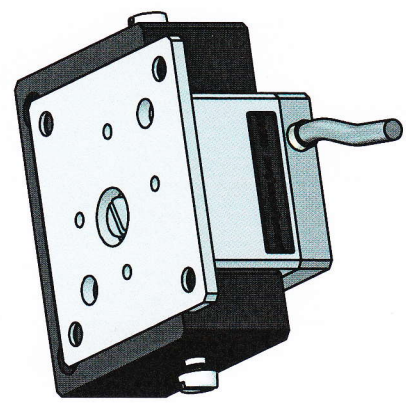


tilting plate B

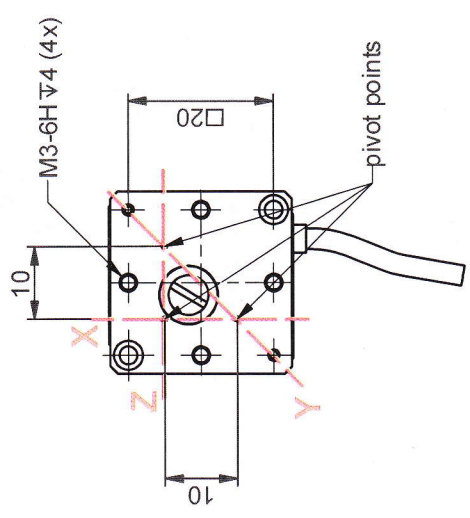
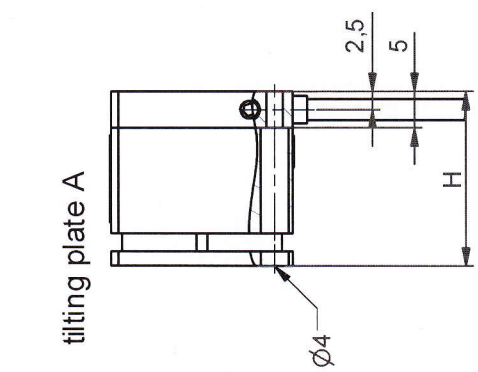
top view



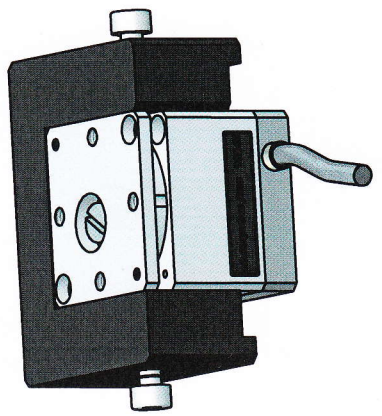
view with optional mounting clamp



tilting plate A



part.no. K-190-00



cable length 1m with connector LEMO 0S.250

ORIGINAL

All tilt axes are 5mm below the cover plate
 X, Z: tilt axes (without z-motion)
 X, Y, Z: tilt axes (with z-motion)

	PSH 1	PSH 2	PSH 3	PSH 4
tilt axes	XYZ XZ	XYZ XZ	XYZ XZ	XYZ XZ
tilting plate A	K-201-10 K-201-30	K-202-10 K-202-30	K-203-10 K-203-30	K-204-10 K-204-30
tilting plate B	K-201-20 K-201-40	K-202-20 K-202-40	K-203-20 K-203-40	K-204-20 K-204-40
H height	24	33	42	51

part.-no.	K-20(1...4)-X0	part.-name	PSH 1...4 (z) (A/B)
file name	PK-20(1...4)-X.0.idw	OK: date/sign.	15. NOV 2010
		scale	M 1:1
		customers drawing	piezosystem jena