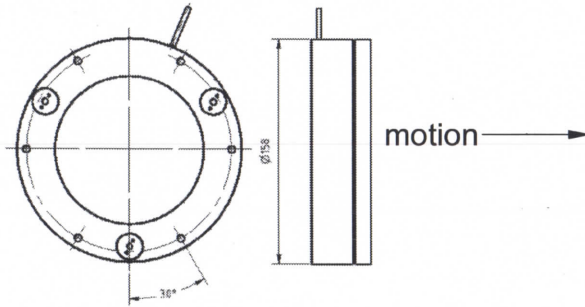
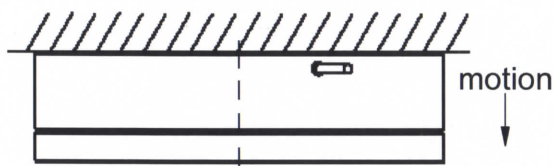


position of installation / identification motion direction



vertical installation / horizontal motion direction

upside down installation / vertical motion direction

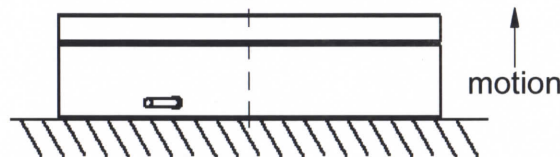


maximum payload for position of installation

- vertical 3kg with 150mm distance to motion plate
4kg mounted directly on motion plate
- horizontal 5kg mounted directly on motion plate
- upside down 2kg mounted directly on motion plate

center of mass must be aligned to the optical axis!

horizontal installation / vertical motion direction



ORIGINAL

part-no. O-309-50		part-name MIPOS 16-158	
file name PO 309 50	rev.01	OK: date/sign. 07. NOV. 2016	
		scale 1:2	customers drawing piezosystem jena