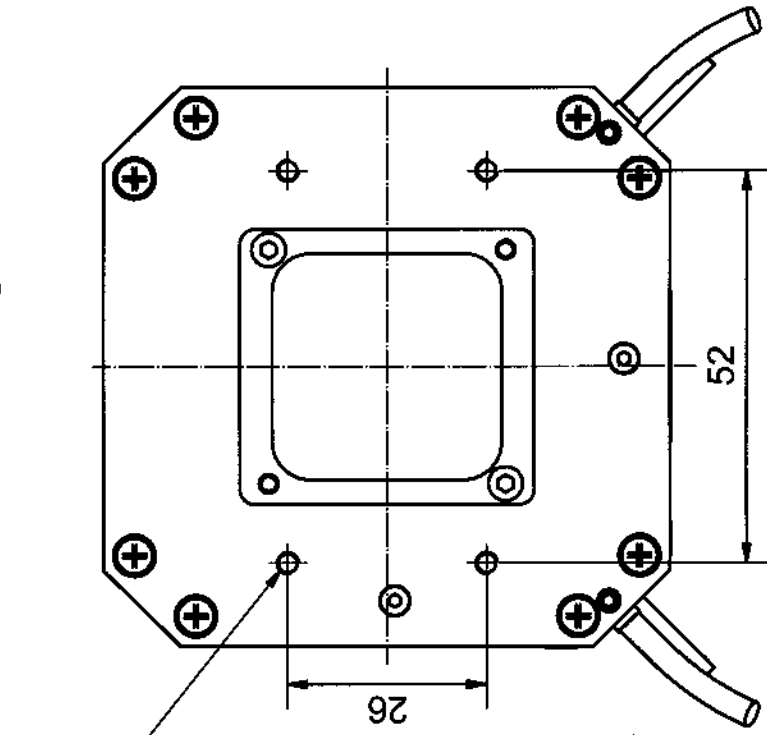
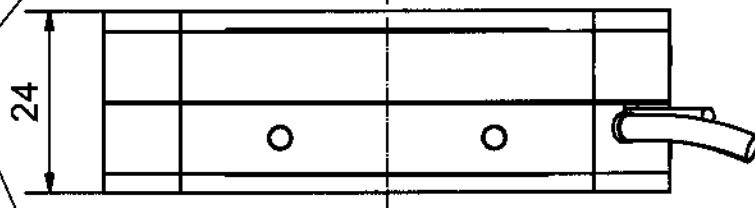


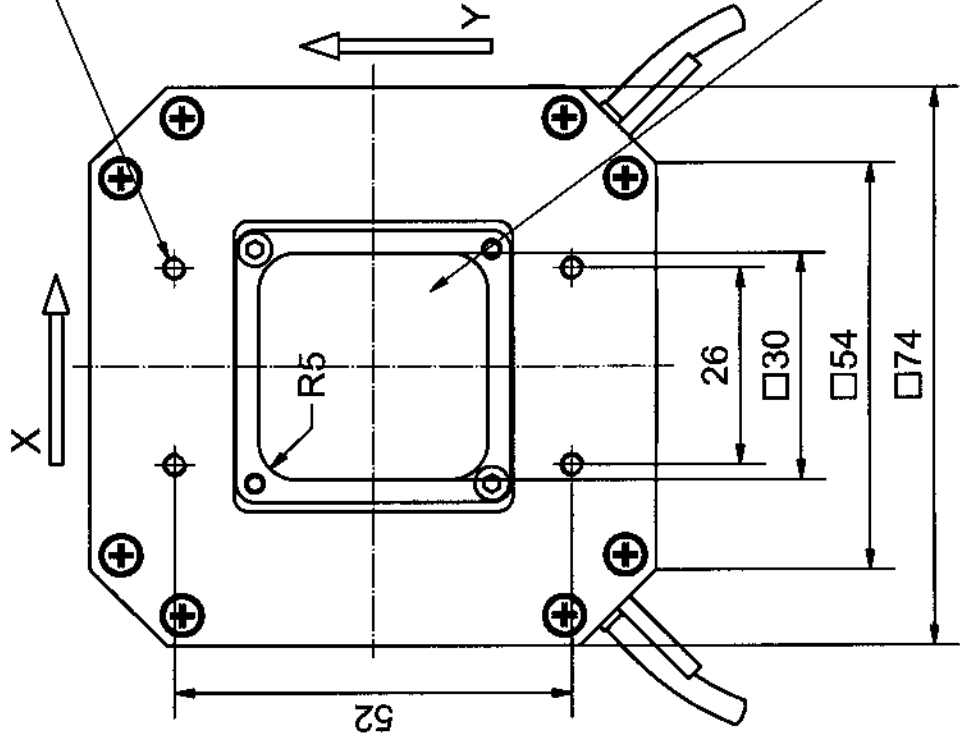
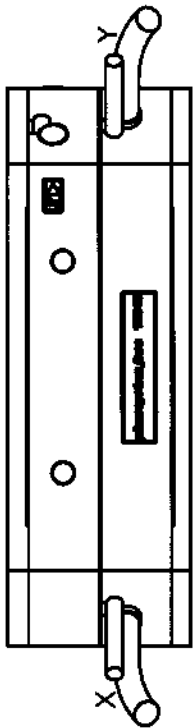
M3-6HV 4.5 (4x)




**ORIGINAL**



clearance 30x30mm<sup>2</sup>



part.-no.	T-228-06	part.-name	PXY 201 CAP
file name	PT 228 06	OK: date/sign.	06.01.2006
	scale	customers drawing	piezosystem jena
		1:1	