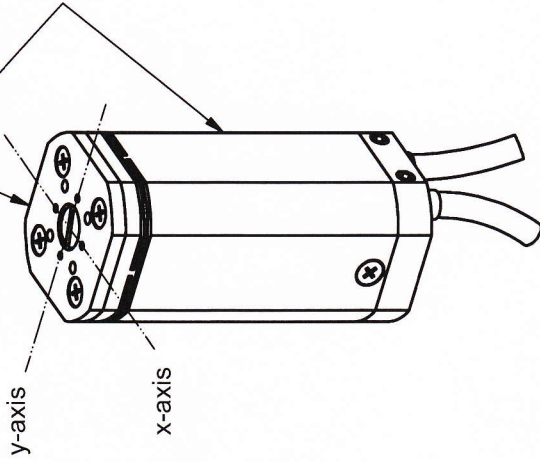


angular error around z-axis between
these two parts without load: ± 0,1°



ORIGINAL

part.-no.	K-110-00	part.-name	PSH 10/2
file name	PK 110 00	OK: date/sign.	18. JUNI 2009
		rev	4
		scale	1:1
			customers drawing piezosystem jena