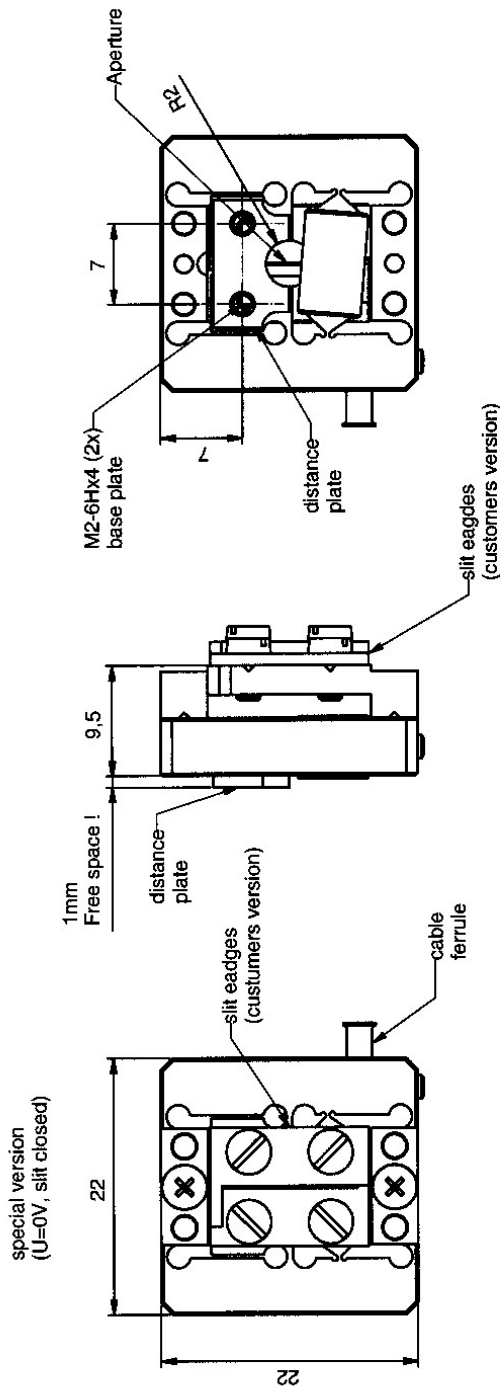
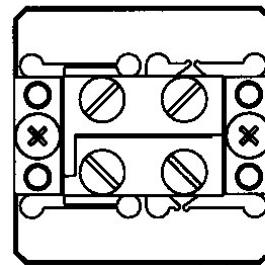


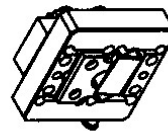
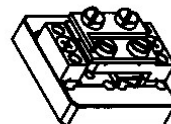
COMPETENCE
IN PRECISION



standart version
(U=0V, slit open)



scale 1:1



ORIGINAL

part.-no.	part.-name	scale	customers drawing
O-102-00	PZS2	2:1	piezosystem jena
file name	OK: date/sign.		
PO10200	16. MAI 2002 K ₆		