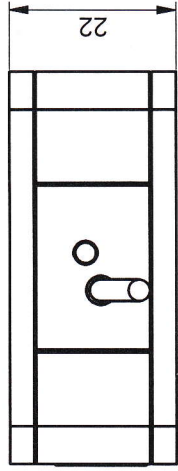
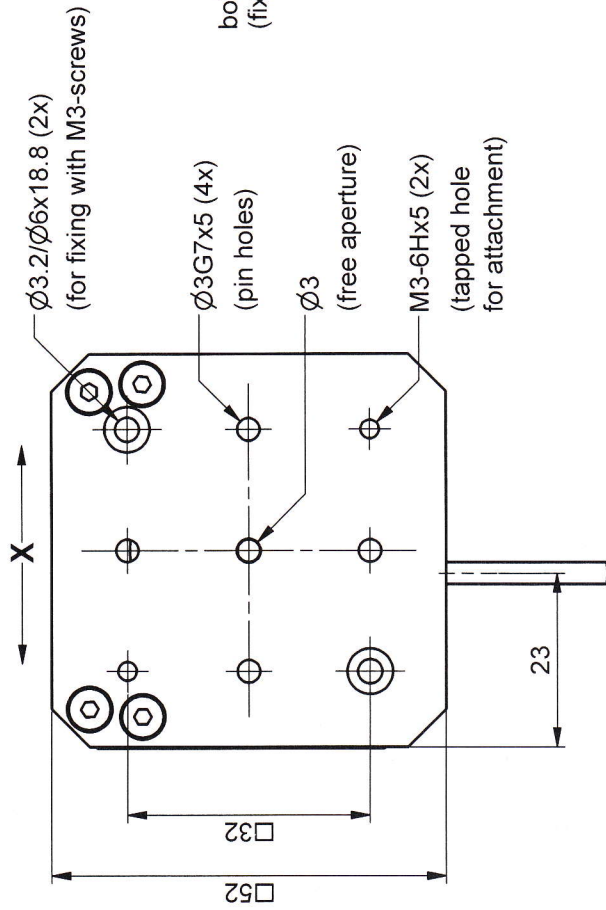


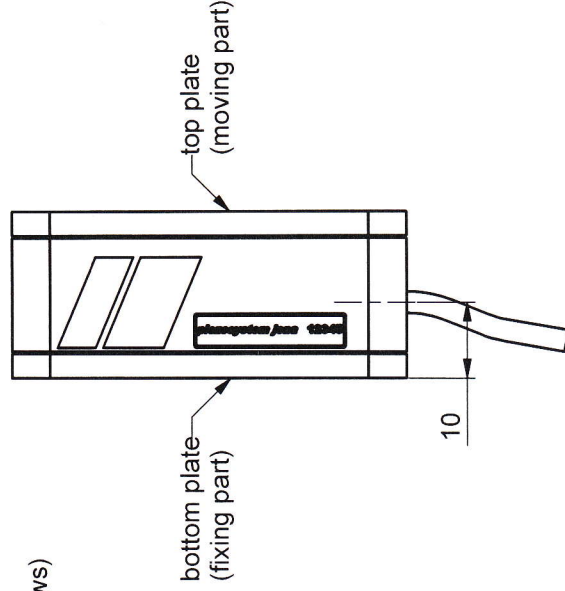
front view



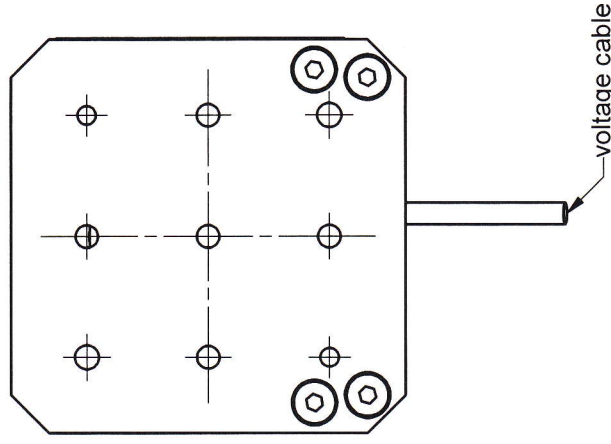
top view



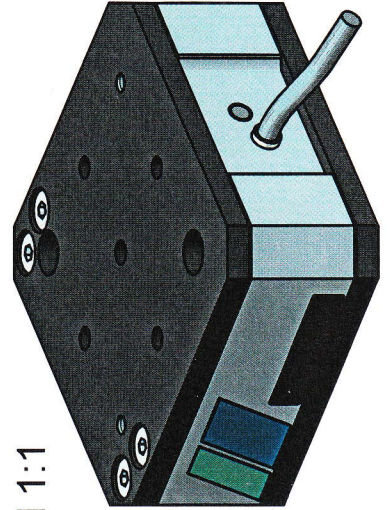
side view



bottom view



model 1:1



ORIGINAL

standard cable length 1m

part.-no.	T-106-20	part.-name	nanoX 200
file name	PT10620	OK: date/sign.	19. AUG. 2011
		scale	1:1
			customers drawing
			piezosystem jena

unit [mm]

pin hole tolerance ± 0.02

tapped hole tolerance ± 0.05