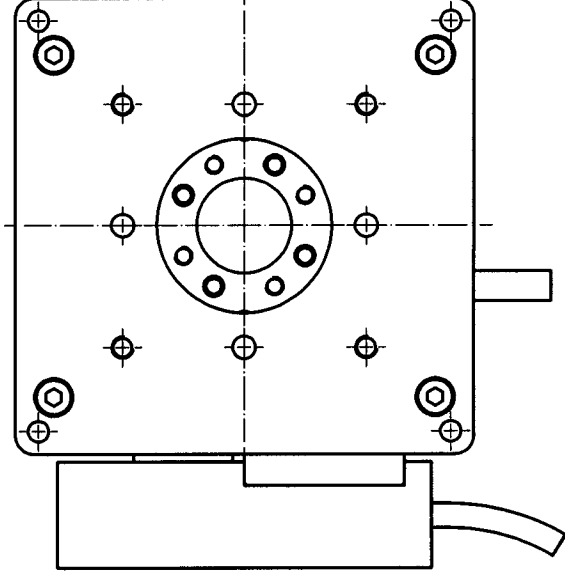
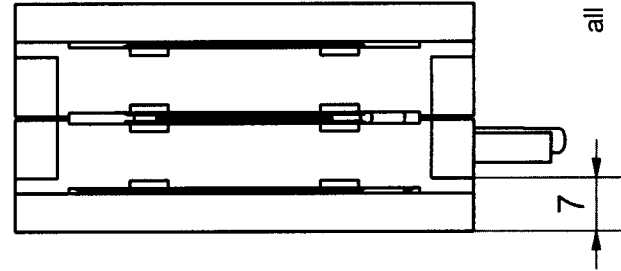
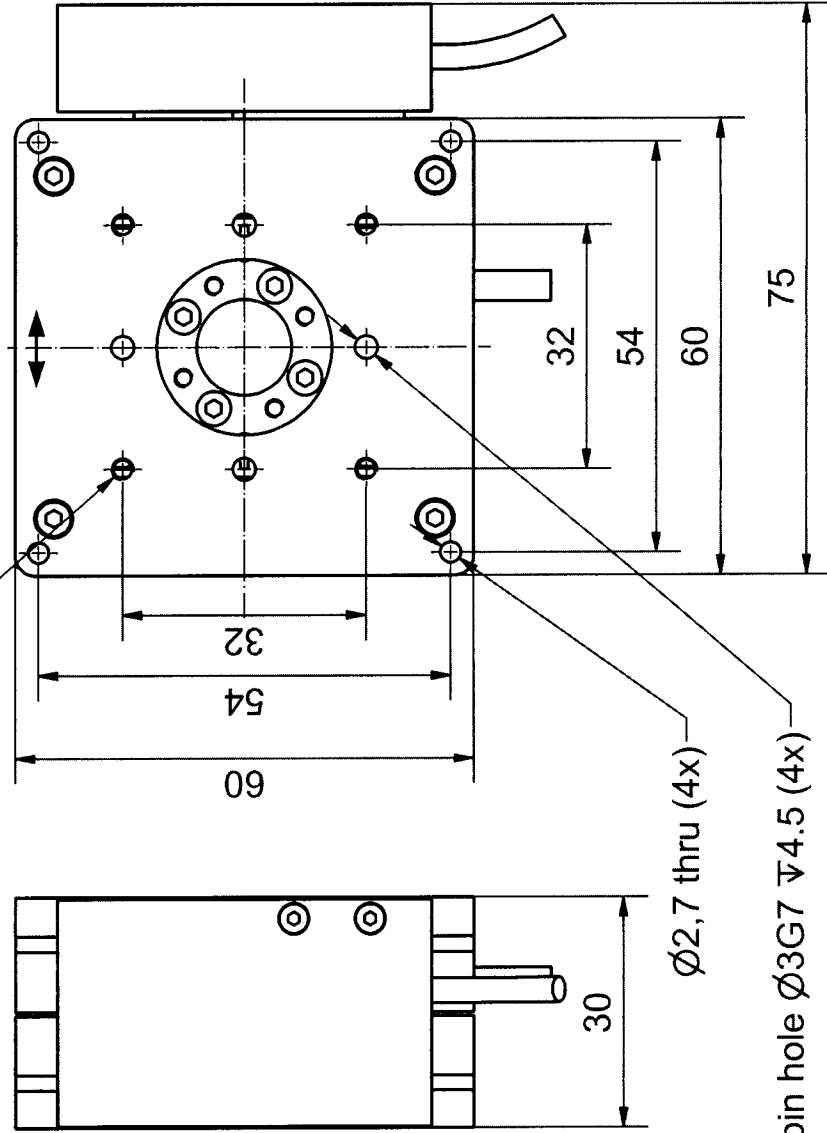


tapped hole M3 - 6H ∇ 4.5 (4x)

stroke



all dimension in [mm]
 orientation tolerance of tapped holes ± 0.05
 orientation tolerance of pin holes ± 0.02

$\text{\O}2,7$ thru (4x)

pin hole $\text{\O}3G7 \nabla 4.5$ (4x)

| | | | |
|-----------|-----------|----------------|-------------------------|
| part-no. | T-128-06D | part-name | nanosX800CAP digital |
| file name | PT12806D | OK: date/sign. | |
| | | scale | customers drawing |
| | | 1:1 | piezosystem jena |