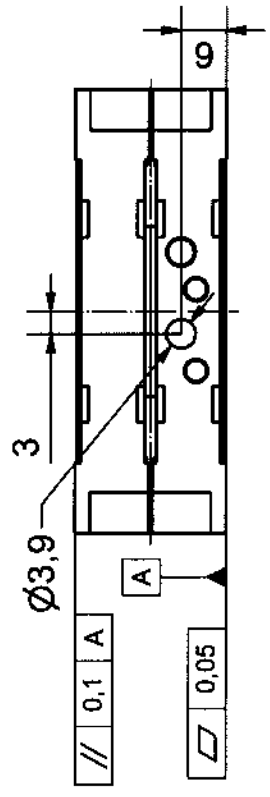
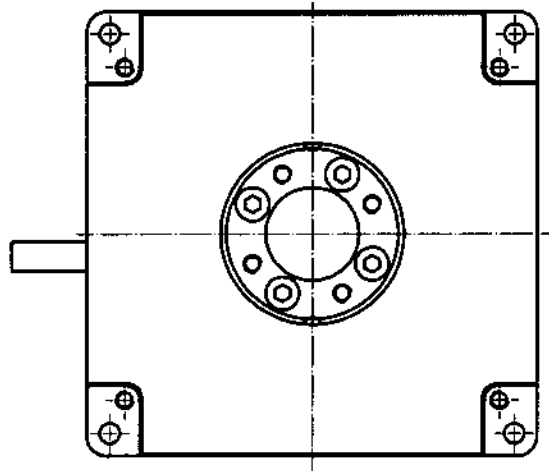
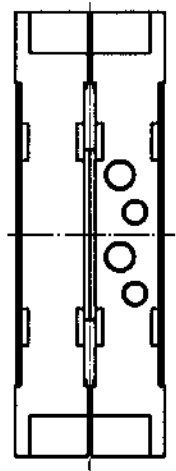
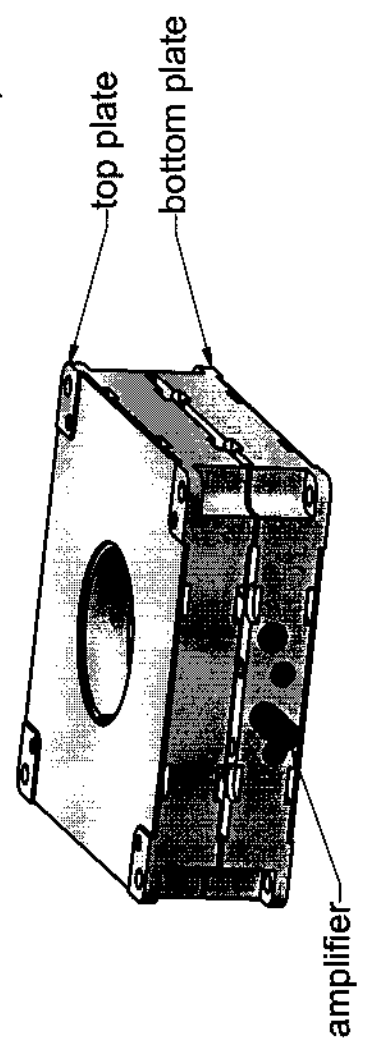
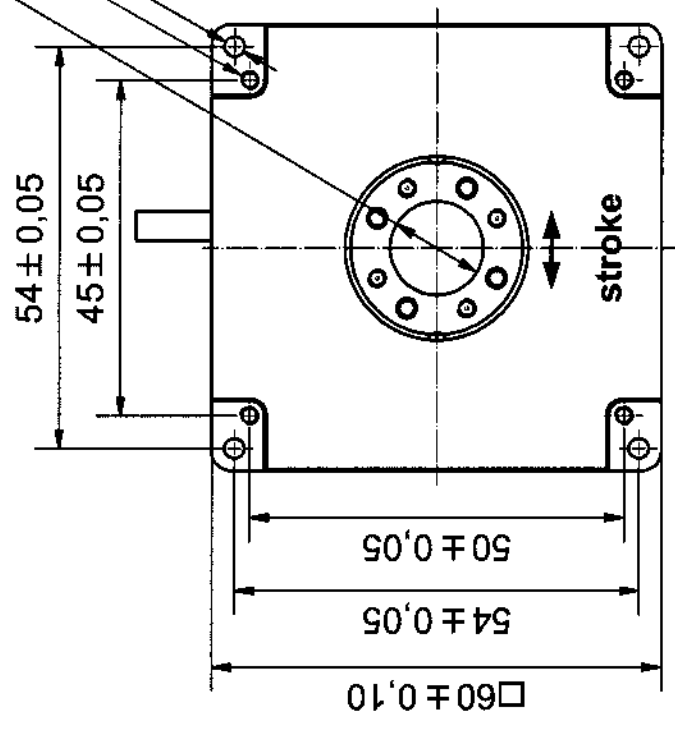
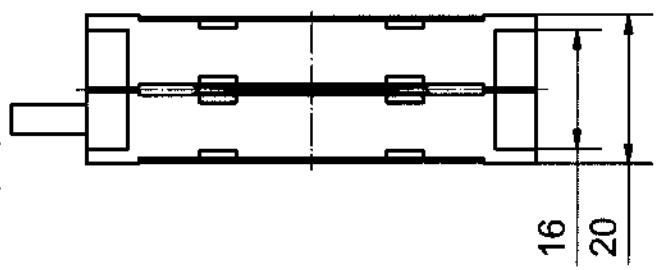


ORIGINAL



$\varnothing 12,5$ clearance
 M2.5x0.45 - 6H $\nabla 6$ (4x) on both sides
 $\varnothing 2,7$ thru (4x)



part.-no.	T-128-00	part.-name	nanosX800
file name		OK: date/sign.	18. JULI 2005
		customers drawing	
		scale	1:1
			plezsystem jena