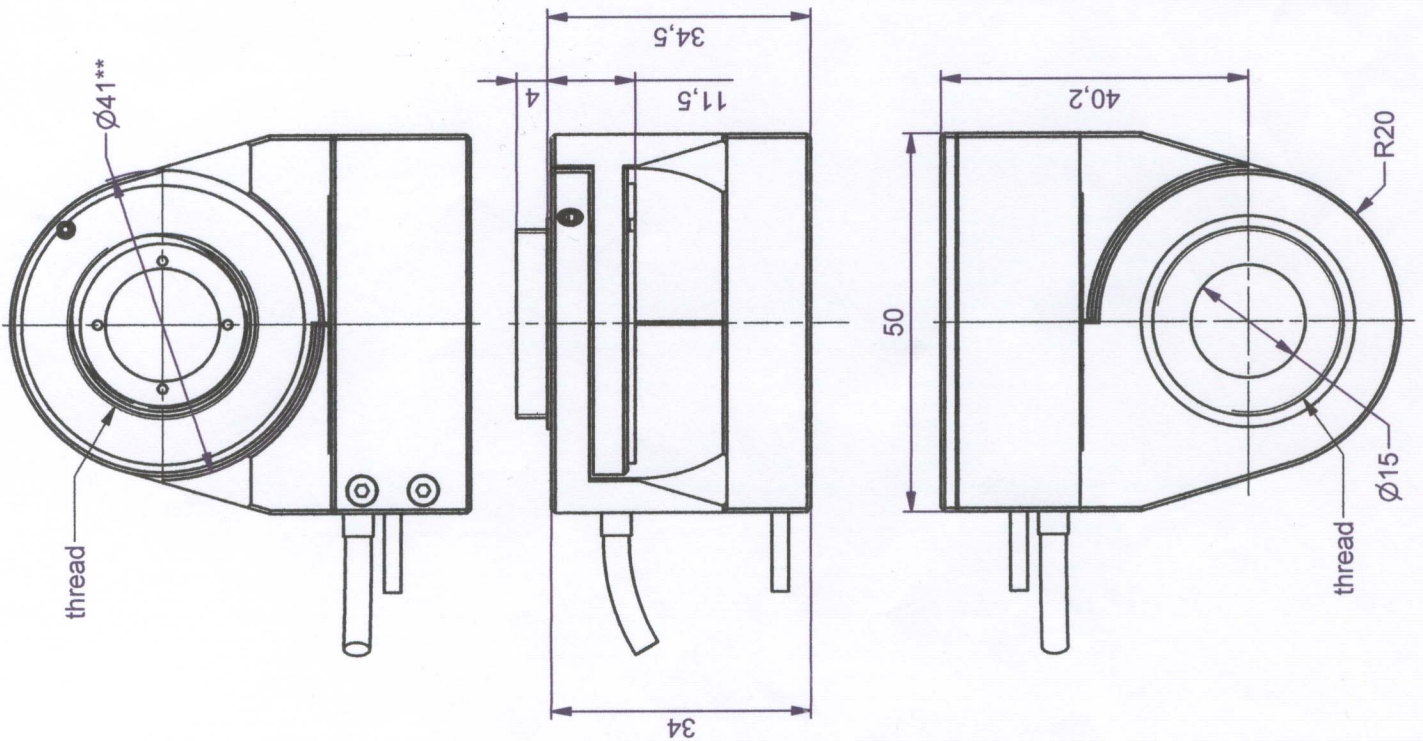
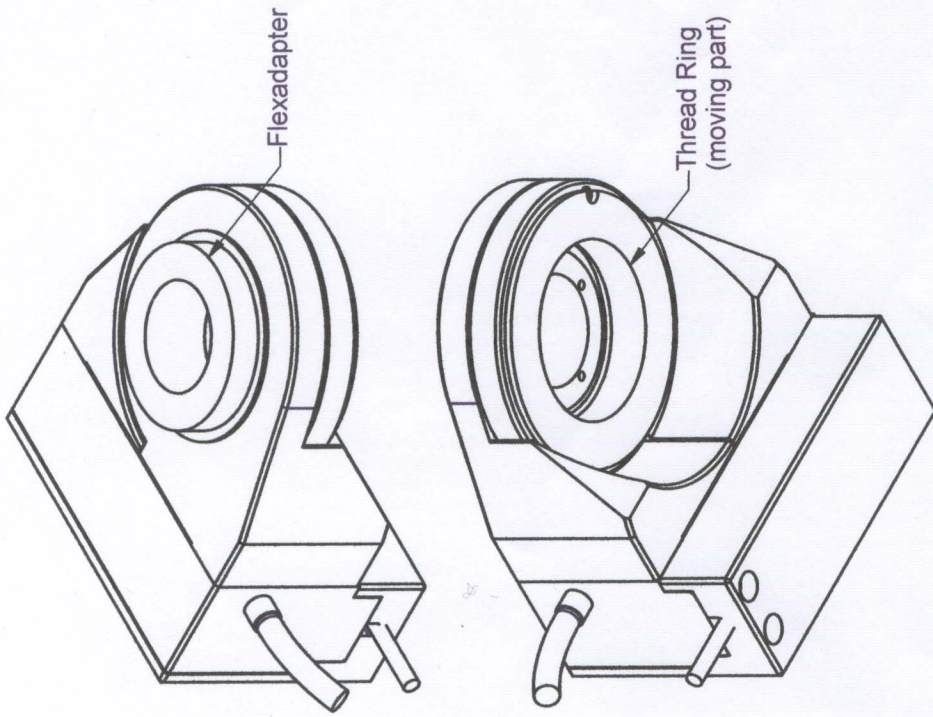


# ORIGINAL



\*\* : max. objective- $\varnothing$  40mm  
 Standard cable length 1,6m (EXT/DIG 2m)

REV 1:  
 > change of height from 37,5mm to 34,5mm  
 > new capacitive sensor with blue cable

part.-no. sorts of threads

O-370-xxY	M25x0.75
O-374-xxY	RMS
O-375-xxY	M26x0.75
O-376-xxY	M27x0.75
O-377-xxY	M32x0.75
O-378-xxY	M26x1/36"

part.-no.	O-37x-xxY	part.-name	Mipos 250 CAP
file name	PO37006	OK: date/sign.	27. NOV. 2007
	REV 1		customers drawing
	scale		piezosystem jena
	1:1		