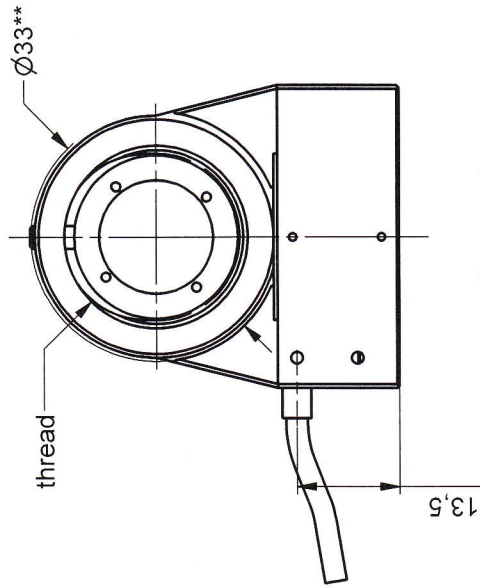
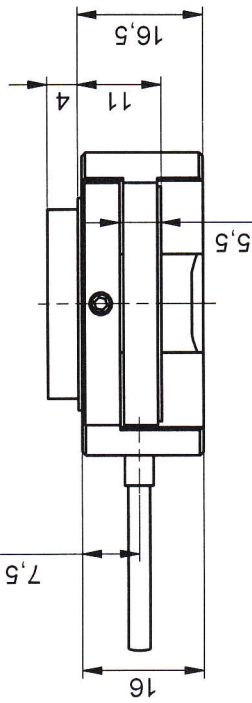


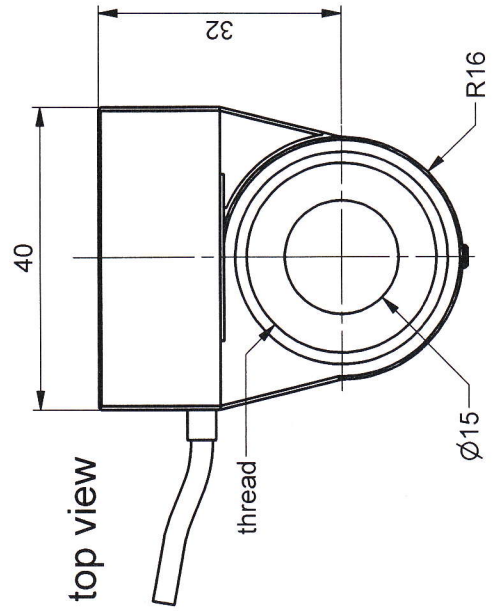
bottom view



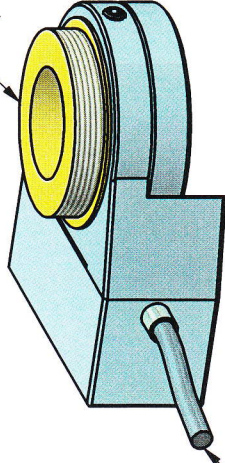
front view



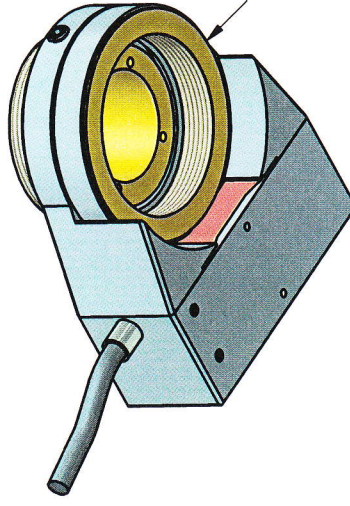
top view



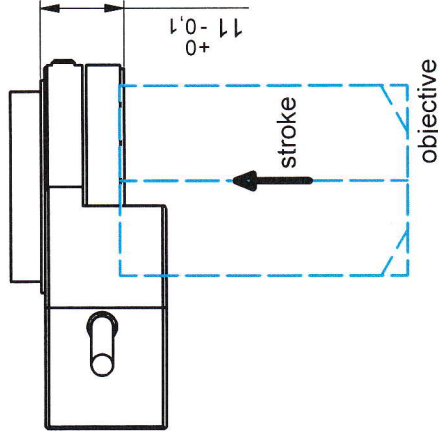
flex adapter
(fix point)



voltage cable



side view



sorts of threads

part-no.	sorts of threads
O-303-00	M25x0.75
O-304-00	RMS
O-305-00	M26x0.75
O-306-00	M27x0.75
O-307-00	M26x1/36"

** : max. objective- ϕ 32 mm
standard cable length 1 m

ORIGINAL

part.-no.	O-30x-00	part.-name	MIPOS 100
file name	PO30x00	OK: date/sign.	19. AUG. 2011
		scale	1:1
		customers drawing	piezosystem jena