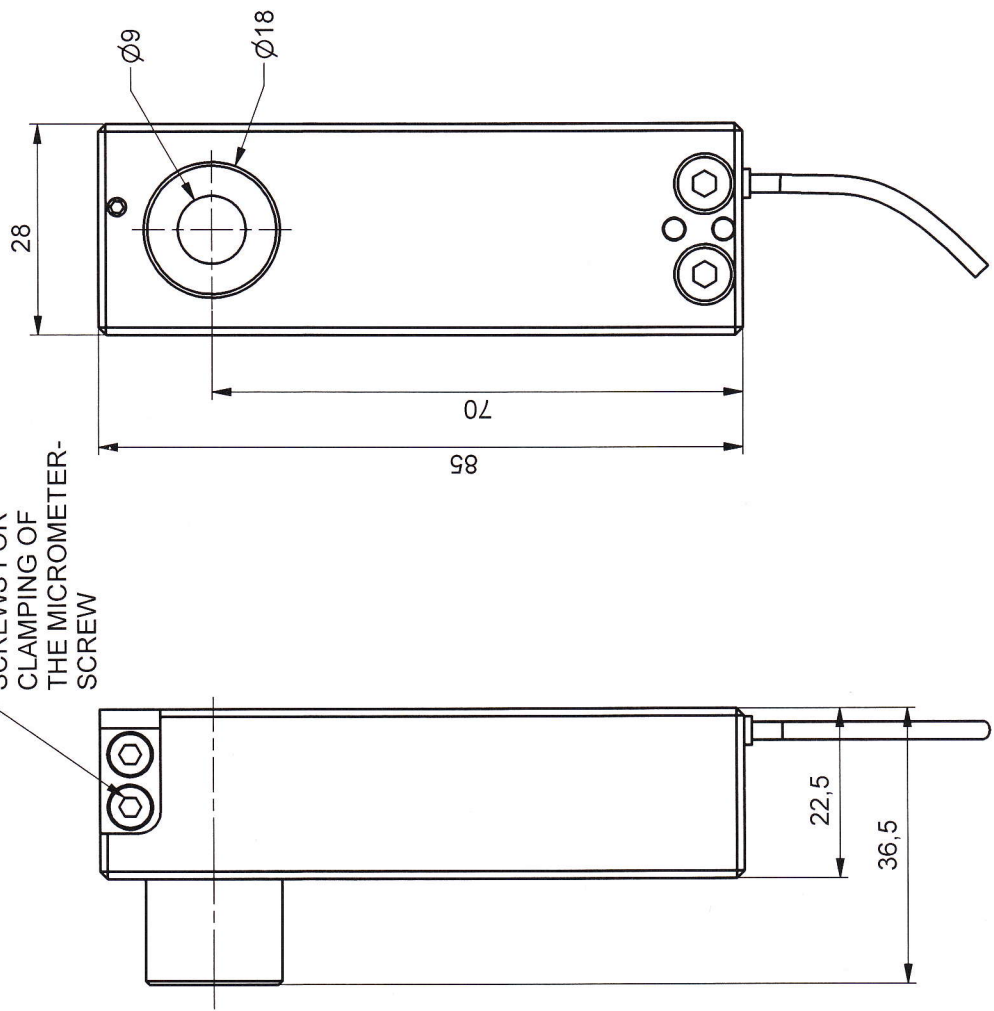
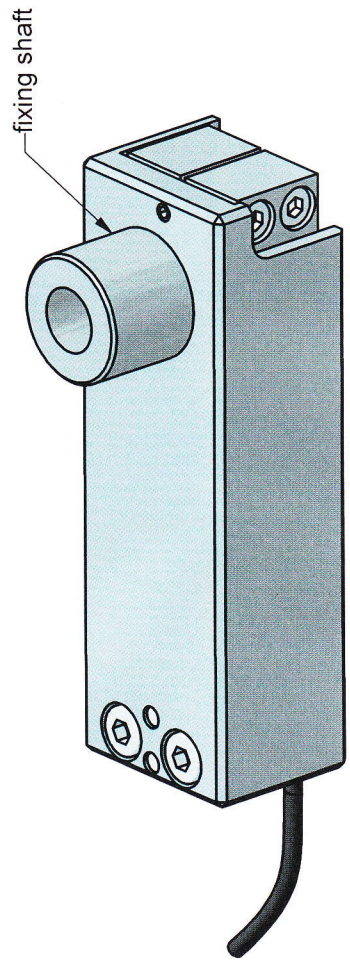
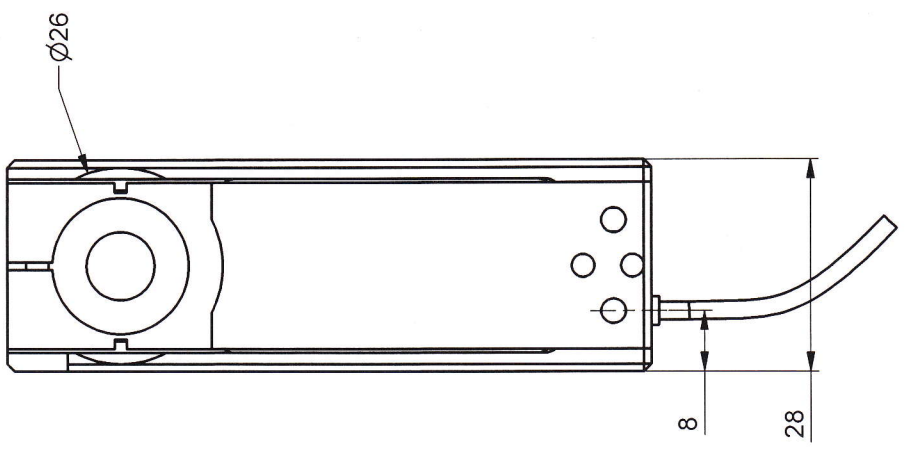
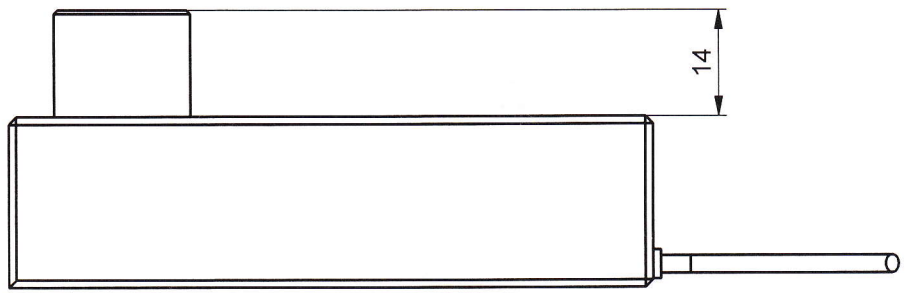


SCREWS FOR
CLAMPING OF
THE MICROMETER-
SCREW



Z MOTION \rightarrow



ORIGINAL

part.-no.	S-703-00	part.-name	MICI200
file name	PS70300	OK: date/sign.	26. NOV. 2010
		scale	M 1:1
			customers drawing
			piezosystem jena