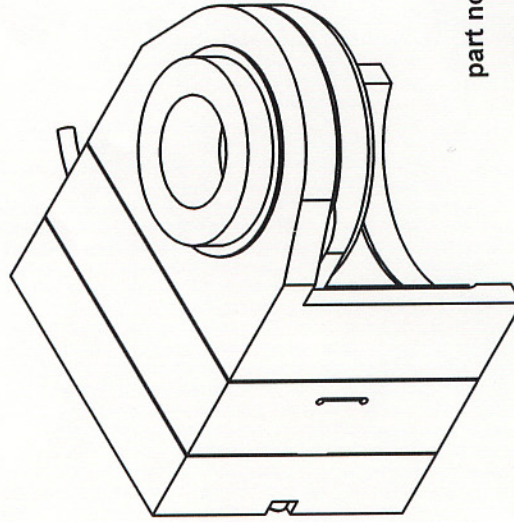
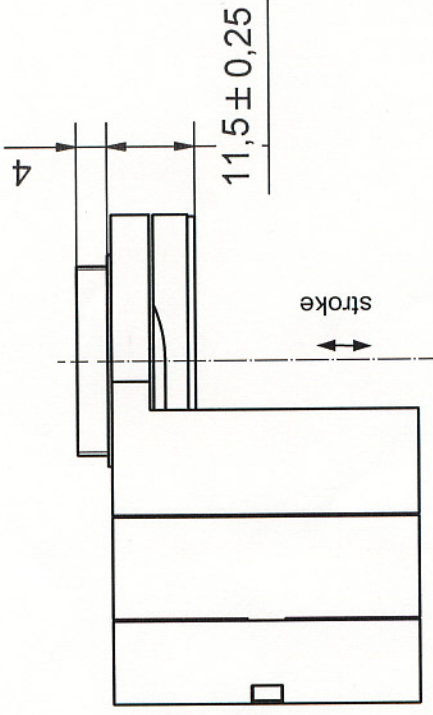
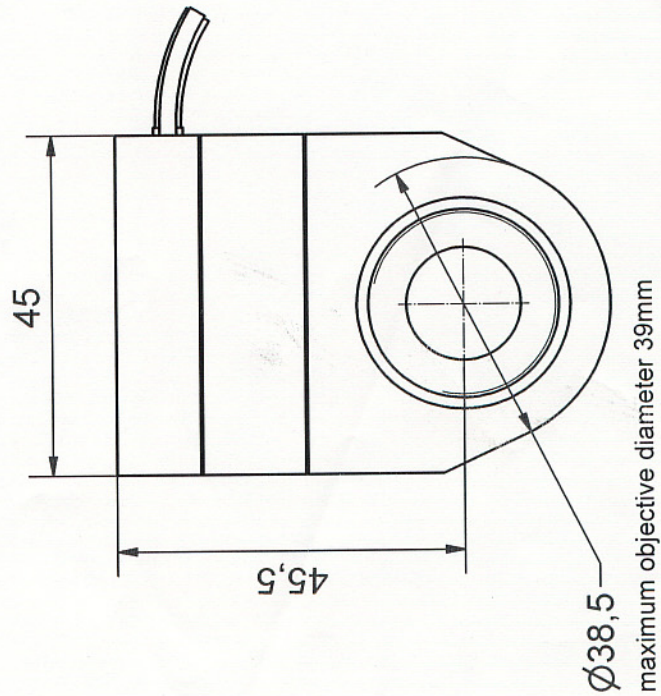
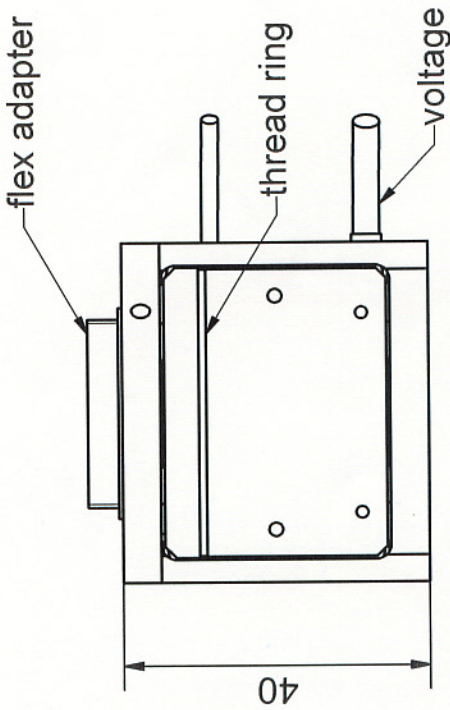


ORIGINAL



part no.	thread
O-543-XXY	M25x0.75
O-544-XXY	W0.8x1/36" (RMS)
O-545-XXY	M26x0.75
O-546-XXY	M27x0.75
O-547-XXY	M32x0.75
O-548-XXY	M26x1/36"



part-no.	O-54X-XXY	part-name	nanomipos400 (CAP)
file name	PO54300	OK: date/sign.	17. DEZ. 2008
	scale	customers drawing	
		1:1	piezosystem jena

xx	feedback sensor	Y	controller	sensor pre-amplifier	cable length
00	w/o	-	w/o	w/o	1.0m
06	capacitive	-	analog	w/o	1.6m
06	capacitive	E	analog	external	2.0m
06	capacitive	D	digital	external	2.0m