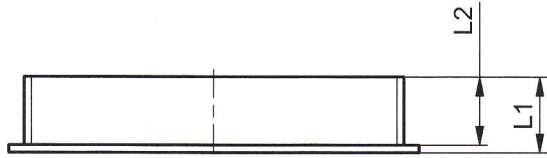
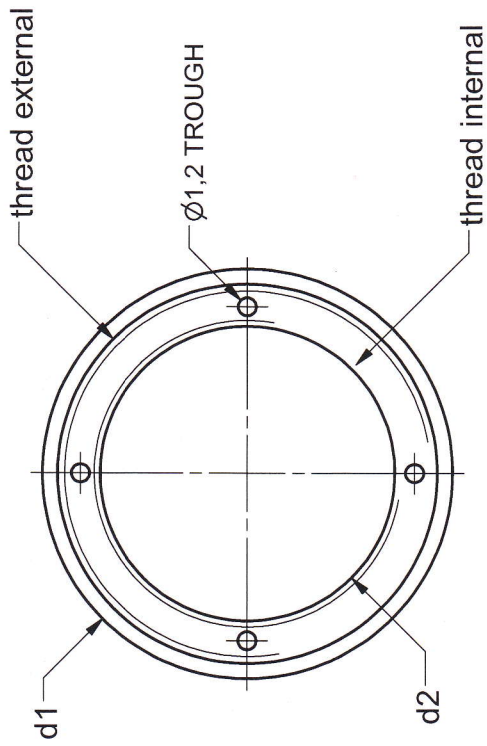


options adapter thread rings for series MIPOS



part. no.	thread external / thread internal	d1	d2	L1 [mm]	L2 [mm]
O-303-05	M26x0.75/W0.8x1/36" (RMS)	25	19,4	5	4,5
O-303-06	M26x1/W0.8x1/36" (RMS)	28	19,4	5	4,5
O-303-07	M32x0.75/M25x0.75	35	24	5,5	5
O-303-09	M27x0.75/W0.8x1/36" (RMS)	29	19,4	5	4,5
O-303-10	M25x0.75/W0.8x1/36" (RMS)	27	19,4	5	4,5
O-304-07	M32x0.75/W0.8x1/36" (RMS)	35	19,4	5,5	5
O-305-07	M32x0.75/M26x0.75	35	25	5,5	5
O-306-07	M32x0.75/M27x0.75	35	26	5,5	5
O-307-07	M32x0.75/M26x1/36"	35	25	5,5	5

all options listed **ORIGINAL**

part.-no.	O-30X-YZ	part.-name	adapter thread rings MIPOS
file name	PO30XYZ	OK: date/sign.	18. AUG. 2011
		scale	1:1
		customers drawing	piezosystem jena