

MIPOS LFA

MIPOS Series with Lens Flex Adapter

Concept:

The Lens Flex Adapter system is made for simple and quick lens objective exchanging on piezoelectric focus units from the MIPOS series. In order to provide the user with the freedom to use a MIPOS system along with a wide variety of micro lenses, independent of the brand of the lens, we now offer the well-known MIPOS series in an LFA version.

In addition to the Flex Adapter on the microscope side of the MIPOS, we now offer the Lens Flex Adapter which is the counterpart for the lens side. The Lens Flex Adapter provides quick lens exchanging which saves time and costs, especially for users working in a laboratory setting.

The MIPOS series units offer a focusing range from up to 500 μm with sub-nanometer accuracy. All systems of the MIPOS series are available with an integrated feedback sensor system which guarantees full drift compensation and long term stability.

Specials:

By locking and unlocking the screws on the side of the MIPOS body, the micro objective lens can be assembled and disassembled similarly to the mounting of a MIPOS series unit onto the microscope nose piece via Flex Adapter. The Flex Adapter thread rings for the nose piece and the Lens Flex Adapter are available separately. They allow for fast mounting and exchanging of the MIPOS system on the microscope without removing other objectives. These Flex-Adapters are available for all standard microscopes and allow the MIPOS LFA series to be universally applicable.

Assembling:

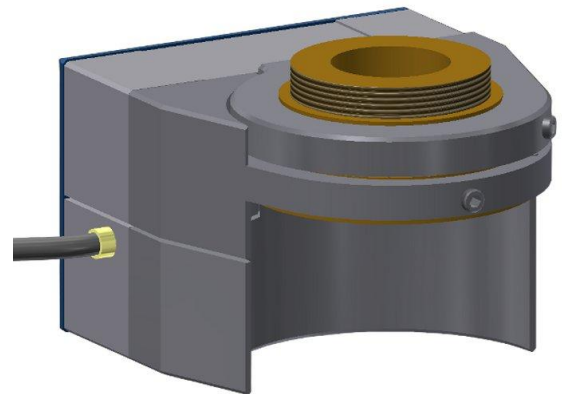
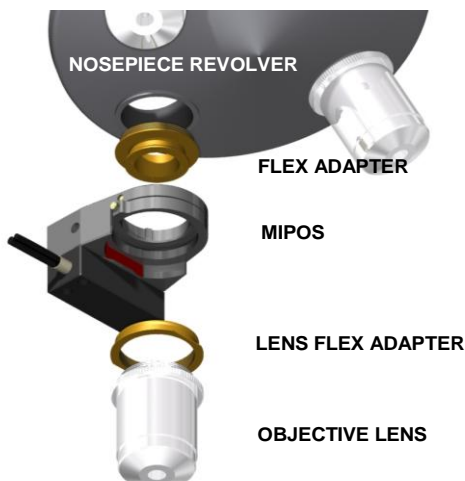


Image: MIPOS 500 LFA

Product highlights:

- MIPOS LFA for easy lens exchanging
- quick installation
- fast exchanging for other threading types
- free use with every type and brand of microscope
- usable for standard and inverted microscopes
- LFA thread adapter can be order separately
- available for threading types from RMS (W0.8x1/36" up to M27x0.75)

MIPOS LFA

Overview MIPOS Flex-Adapter (interface to microscope revolver)

Flex Adapter	thread type					
	M25x0.75	W0.8x1/36" (RMS)	M26x0.75	M26x1/36"	M27x0.75	M32x0.75
part number	O-303-11	O-304-11	O-305-11	O-307-11	O-306-11	O-308-11

Overview series MIPOS LFA:

list of part numbers for series MIPOS LFA				
MIPOS series	version	Standard*	Standard +SG sensor**	Standard+ CAP sensor***
MIPOS 100 max. threading size of LFA Adapter: M26x1/36"	Standard	O-303-00-LFA	O-303-01-LFA	-
	EXT –version	-	O-303-01E-LFA	-
	DIG - version	O-303-00D-LFA	O-303-01D-LFA	-
MIPOS 100 PL max. threading size of LFA Adapter M27x0.75	Standard	O-323-00-LFA	O-323-01-LFA	O-323-06-LFA
	EXT –version	-	O-323-01E-LFA	O-323-06E-LFA
	DIG - version	O-323-00D-LFA	O-323-01D-LFA	O-323-06D-LFA
MIPOS 250 max. threading size of LFA Adapter M27x0.75	Standard	O-370-00-LFA	O-370-01-LFA	O-370-06-LFA
	EXT –version	-	O-370-01E-LFA	O-370-06E-LFA
	DIG - version	O-370-00D-LFA	O-370-01D-LFA	O-370-06D-LFA
MIPOS 500 max. threading size of LFA Adapter M27x0.75	Standard	O-350-00-LFA	O-350-01-LFA	-
	EXT –version	-	O-350-01E-LFA	-
	DIG - version	O-350-00D-LFA	O-350-01D-LFA	-
Type of Connectors				
Standard: LEMO 0S.302 /LEMO 0S.304 (Voltage/Sensor) EXT Version: LEMO 302/ODU4pin (Voltage/Sensor) DIG-Version: D-Sub15 -				
* Standard	for upright microscopes without integrated feed back sensor for positioning control;			
** SG sensor	for upright microscopes with integrated strain gage feed back sensor system,			
*** CAP sensor	for upright microscopes with integrated capacitive feed back sensor			

Overview MIPOS Lens-Flex-Adapter (interface to micro lens objective)

Lens Flex Adapter	thread type				
	M25x0.75	W0.8x1/36" (RMS)	M26x0.75	M26x1/36"	M27x0.75
part number	O-303-99	O-304-99	O-305-99	O-307-99	O-306-99
part number	Lens Flex Adapter Set= set of all thread types available with part no.: O-300-99				

Specifications subject to change without notice!

MIPOS LFA

ordering example

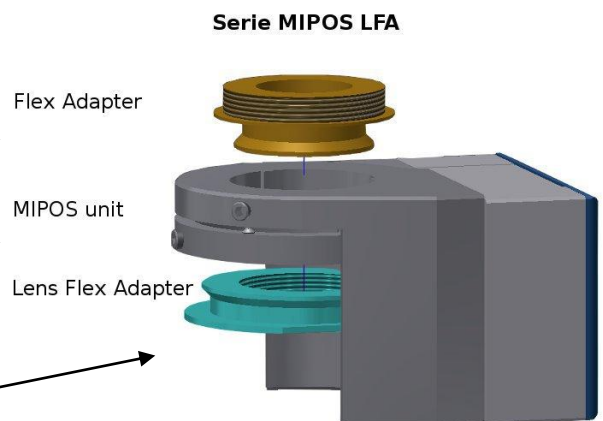
The piezo objective focus system MIPOS LFA consists of 3 different parts which need to be ordered separately. Please see the example for a MIPOS unit with 500µm travel range and integrated closed loop feed back sensor enclosed. The MIPOS LFA should be mounted on a microscope with a threading size of W0.8x1/26" at the revolver. The used micro objective shows a threading size of M25x0.75mm. Please see the order example below:

Example for the following configuration:

- MIPOS 500 SG (travel range 500µm with strain gage feed back sensor)
- Microscope revolver threading size: W0.8x1/36" (RMS)
- Micro objective lens threading size: M25x0.75

Configuration:

1. Selection Flex Adapter for W0.8x1/36"
part no.: O-304-11
2. Selection of MIPOS 500 SG
part no.: O-350-01-LFA
3. Selection Lens Flex Adapter M25x0.75
part. no. O-303-99



All part numbers are give on page 2 of the data sheet

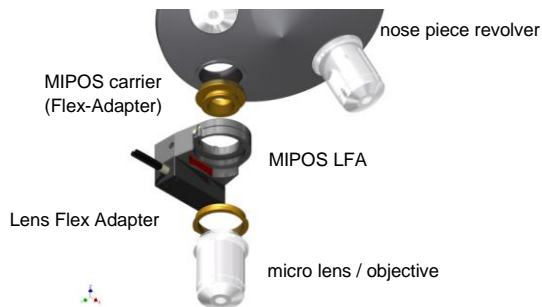
or at www.piezosystem.com

Specifications subject to change without notice!

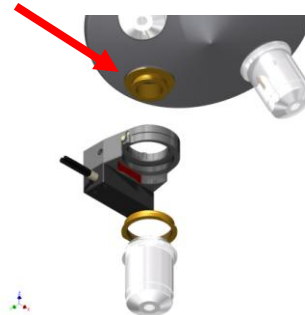
MIPOS LFA

mounting and assembling

1. Explored view of all components.



2. Screwing of the Flex Adapter into the micro lens position of the nose piece.



3. Mounting of the MIPOS unit onto the Flex Adapter by fastening attachment screw 1.



4. Mounting of the MIPOS unit with the mounted Lens Flex Adapter.



5. Entering of the micro lens with the mounted Lens Flex Adapter onto the MIPOS unit by fastens of attachment screw no. 2.



attachment screw 1
attachment screw 2 (Example MIPOS 100)

