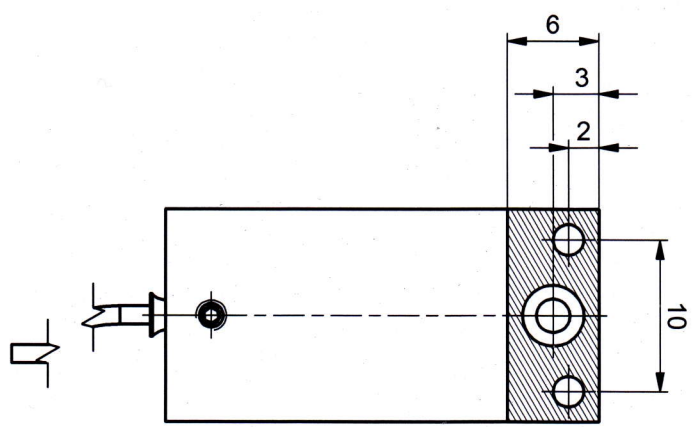
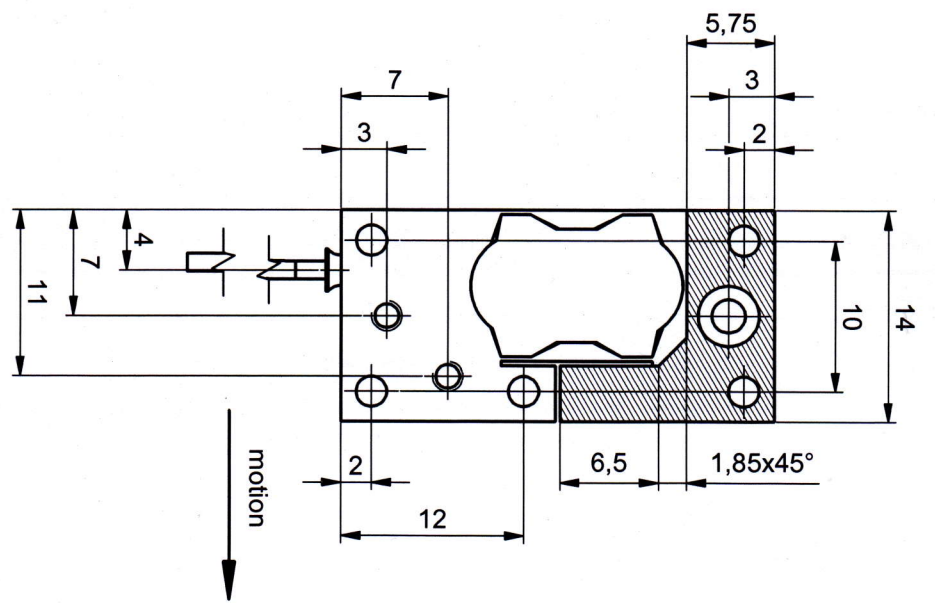
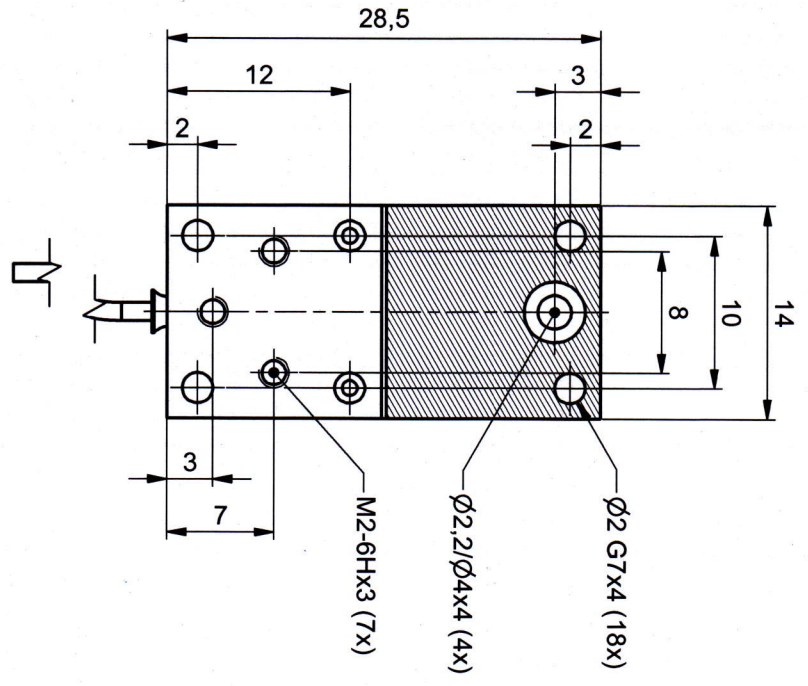
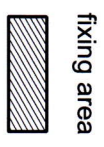


M 1 : 1
zxy-configuration



translators can be combined in various configurations (see example)

Please note! There must be a gap (>= 0,5mm) between the translators and between the translator and its mounting point too, otherwise the movement will be hindered and the actuator may be destroyed. Use the spacers!



ORIGINAL

part.-no.	T-506-00	part.-name	PU 40
file name	PT50600	OK: date/sign.	29. APR 2013
scale	2:1	customers drawing	piezosystem jena