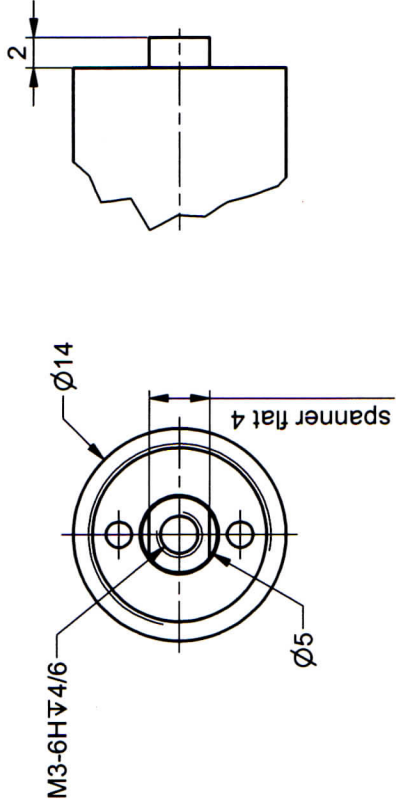
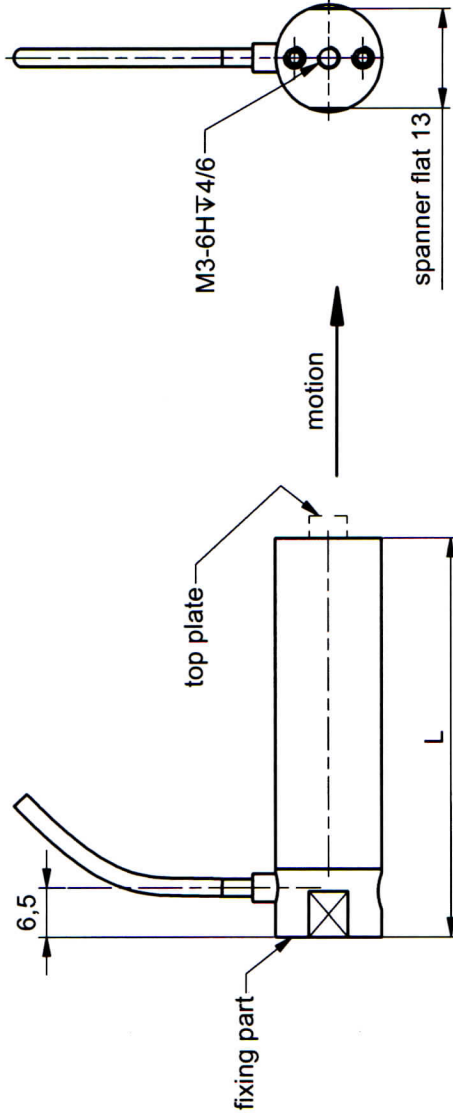
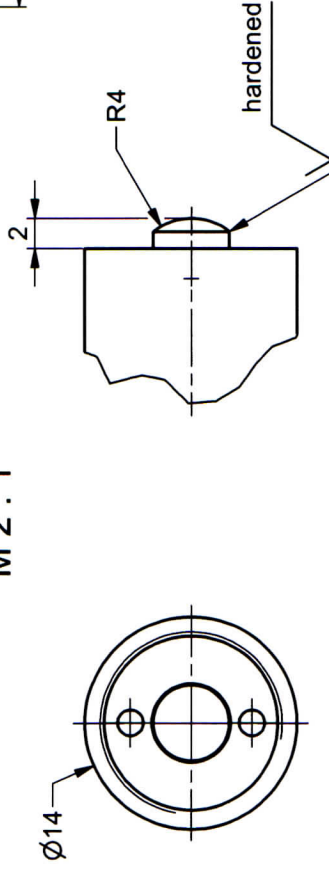


version top plate with thread hole  
M 2 : 1



version spherical top plate  
M 2 : 1



ORIGINAL

part name - PA XX	4	8	16	25	35	45	50	60	70	80	90	100	105	110	120	130	140	150	160	170	180	190	200
part no. ol - B-2XX-00	00	01	02	03	04	05	06	07	08	09	10	11	12	13	14	15	16	17	18	19	20	21	22
part no. SG - B-2XX-01	-	01	02	03	04	05	06	07	08	09	10	11	12	13	14	15	16	17	18	19	20	21	22
L	22	26	35	44	53	62	71	80	89	98	107	116	125	134	143	152	161	170	179	188	197	206	215

part.-no.	B-2XX-0Y	part.-name	PA XX (SG)
file name	PB2XX0Y	OK: date/sign.	24.01.2013
		rev. 01	
		scale	1:1
		customers drawing	piezosystem jena

standard cable length: 2 m