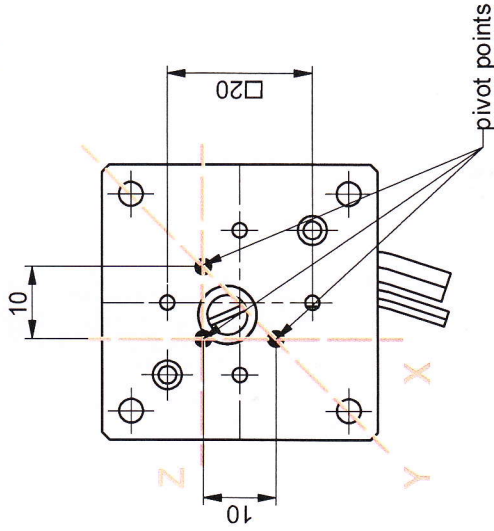
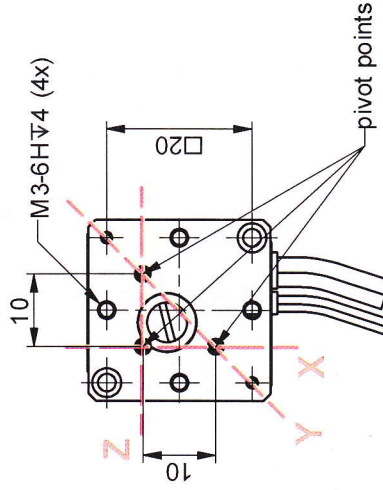


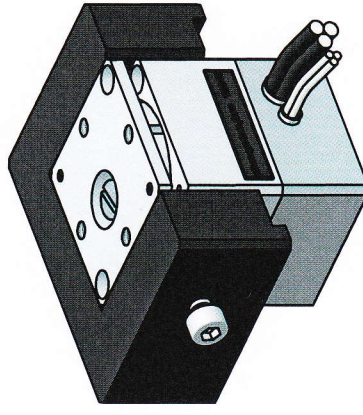
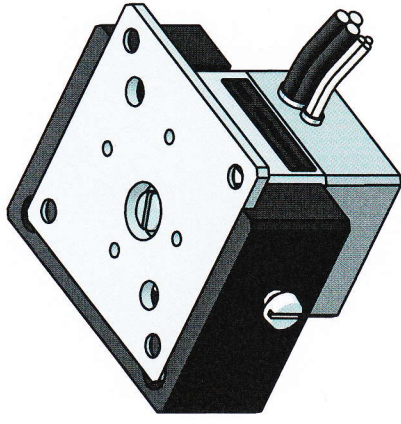
top view



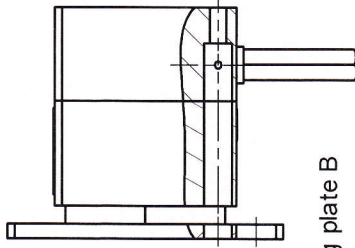
part.no. K-190-00



view with optional mounting clamp

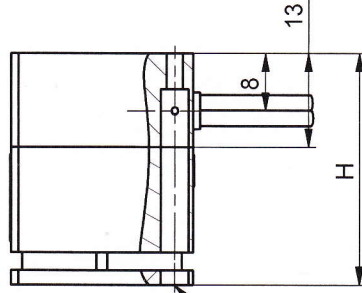


side view

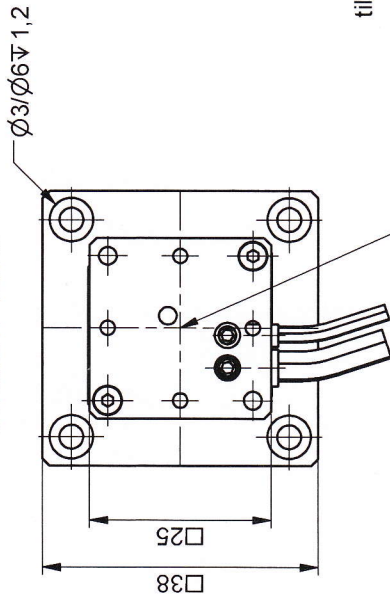


tilting plate B

tilting plate A

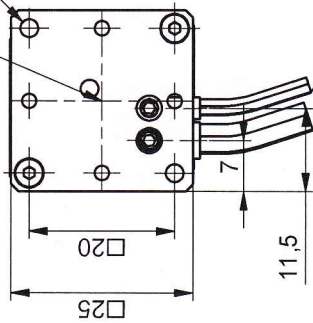


bottom view



base plate

M3-6H (2x)



cable length 1 m with connector LEMO 0S.304

All tilt axes are 5mm below the cover plate
 X, Z: tilt axes (without z-motion)
 X, Y, Z: tilt axes (with z-motion)

ORIGINAL

	PSH 1 SG	PSH 2 SG	PSH 3 SG	PSH 4 SG
tilt axes	XYZ	XYZ	XYZ	XYZ
tilting plate A	K-201-11	K-202-11	K-203-11	K-204-11
tilting plate B	K-201-11	K-202-21	K-203-21	K-204-21
H height	32	41	50	59

part.-no.	K-20(1...4)-X1	part.-name	PSH 1...4 (z) SG (A/B)
file name	PK-20(1...4)-X1.idw	OK: date/sgn.	17. NOV. 2010
		scale	1:1
			customers drawing
			piezosystem jena