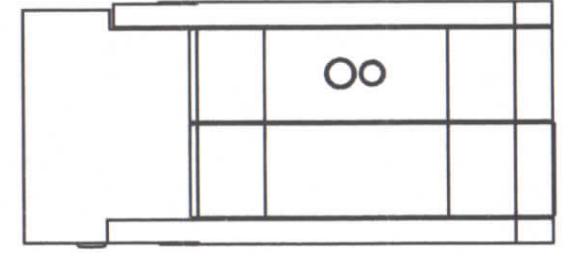
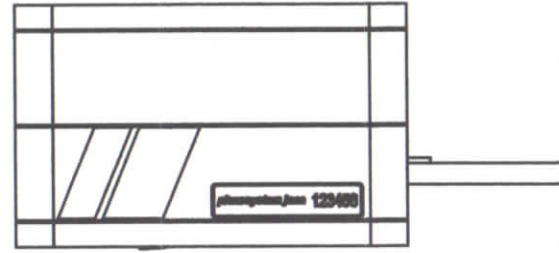
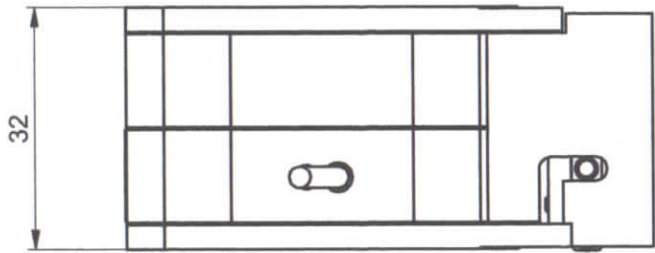
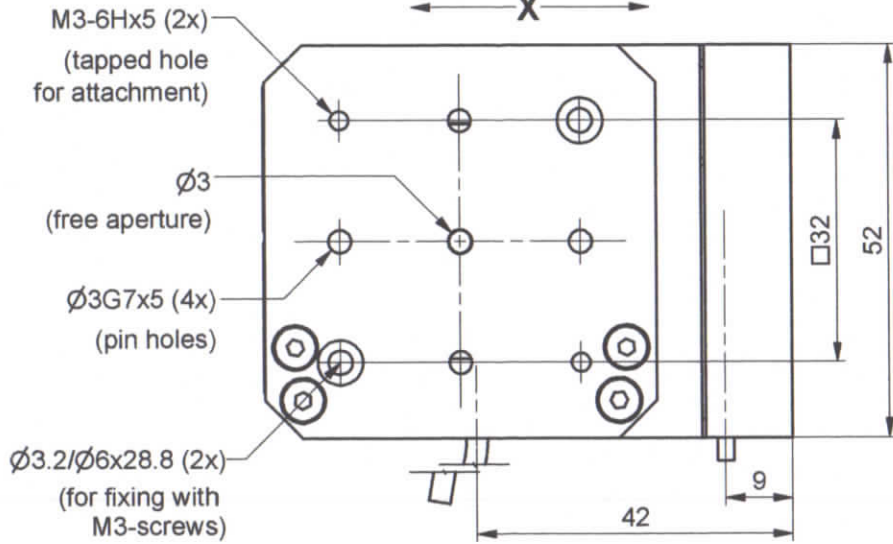


front view

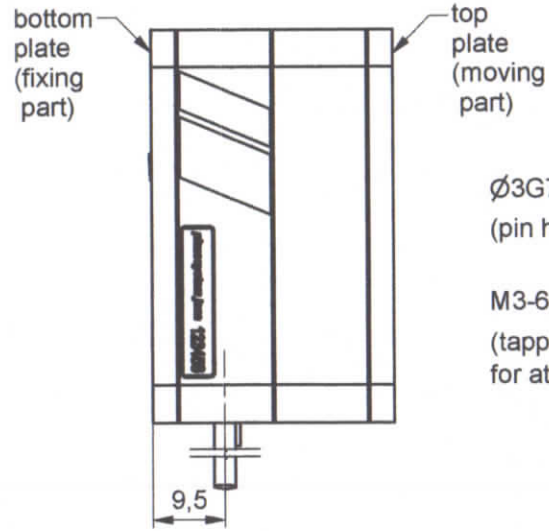


top view

← X →

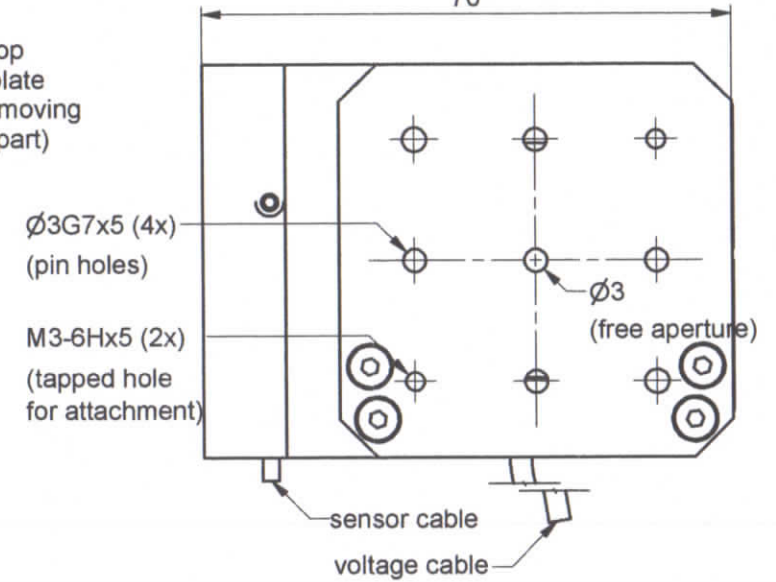


side view

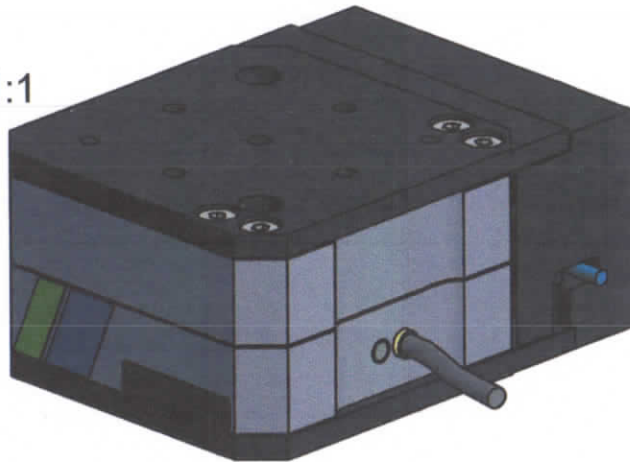


bottom view

70



model 1:1



ORIGINAL

standard cable length 1.6m (EXT/DIG 2m)

unit [mm]
pin hole tolerance ± 0.02
tapped hole tolerance ± 0.05

part.-no.		part.-name	
T-108-26		nanoX 400 CAP	
file name	rev.	OK: date/sign.	
PT10826ÄZ1	rev.02	03. MRZ. 2017	
scale		customers drawing	
1:1		piezosystem jena	