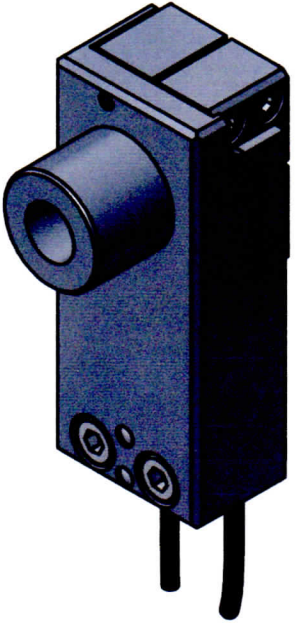
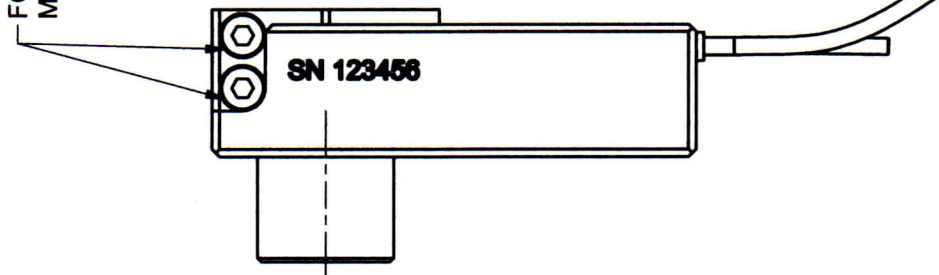
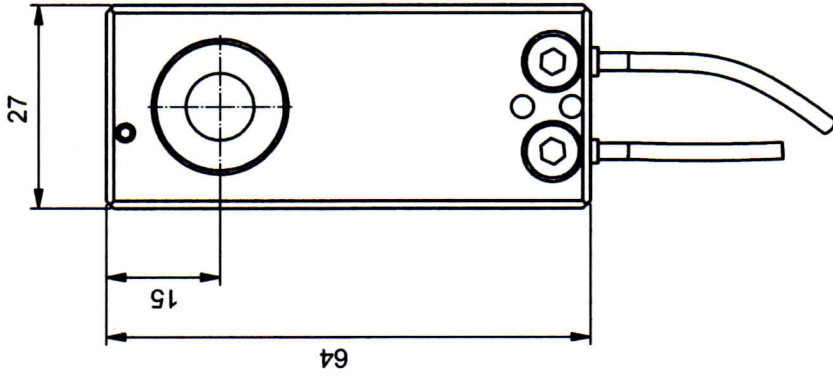


FOR CLAMPING OF
MICROMETER SCREW

SOCKET FOR
MICROMETER SCREW



ORIGINAL

drawing is valid for open loop and closed loop versions

part.-no.	S-702-0x (D,E)	part.-name	Mici 80 (SG)
file name	PS70201ÄZ1	OK: date/sign.	1. FEB. 2010
		scale	1:1
		customers drawing	piezosystem jena