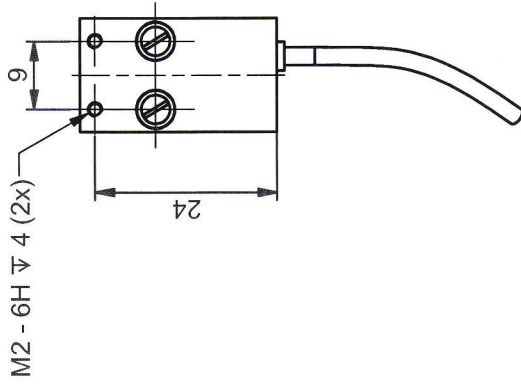
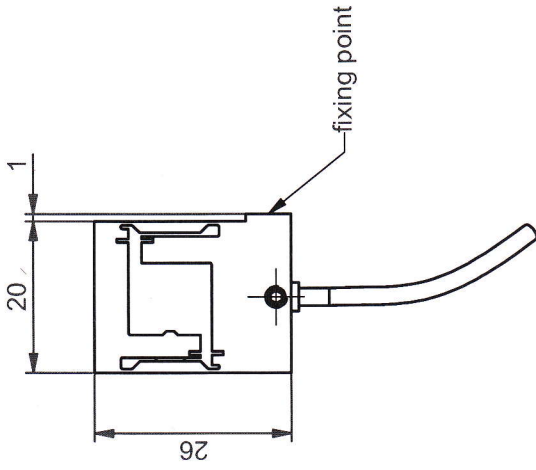
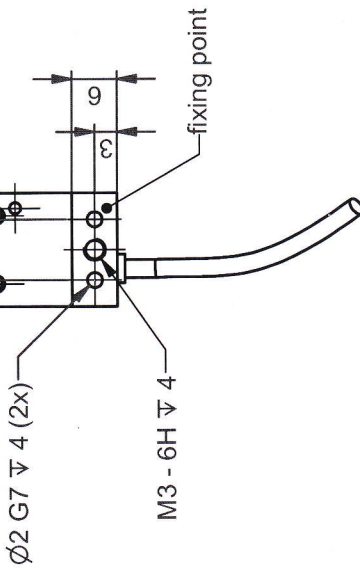


stroke →



M2 - 6H ∇ 4 (2x)

9



Ø2 G7 ∇ 4 (2x)

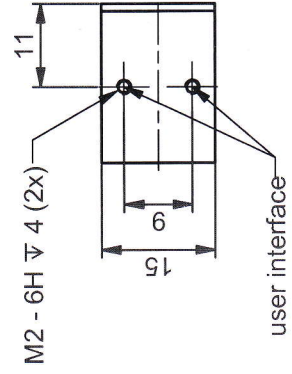
M3 - 6H ∇ 4

fixing point

8 ± 0.01

3

3



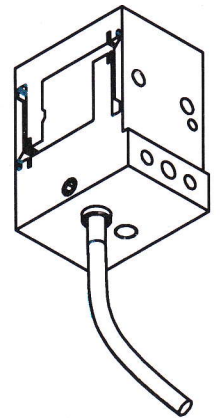
M2 - 6H ∇ 4 (2x)

11

9

15

user interface



ORIGINAL

part.-no.	S-605-60	part.-name	PZ 8 D12
file name	PS60560	OK: date/sign.	24. JUNI 2011
		scale	1:1
		customers drawing	piezosystem jena