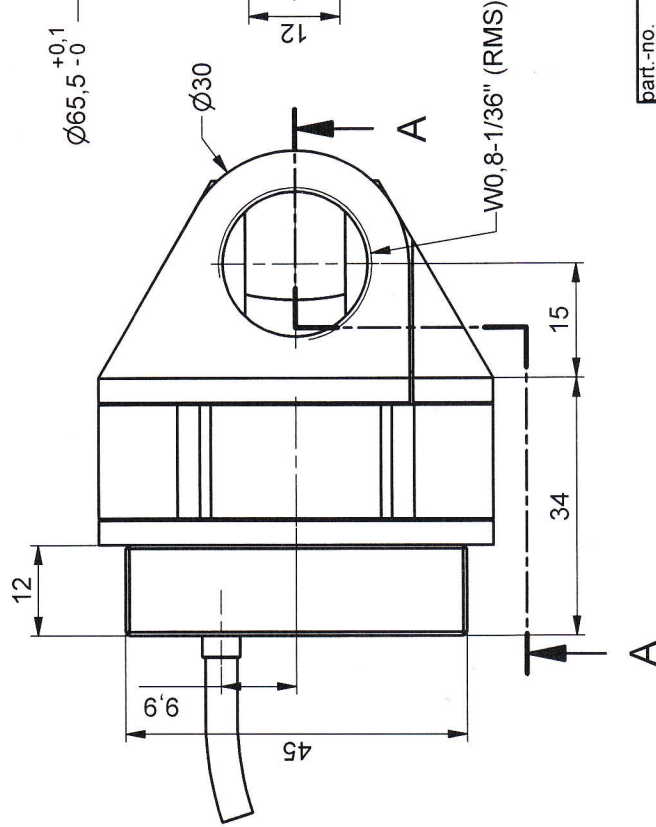
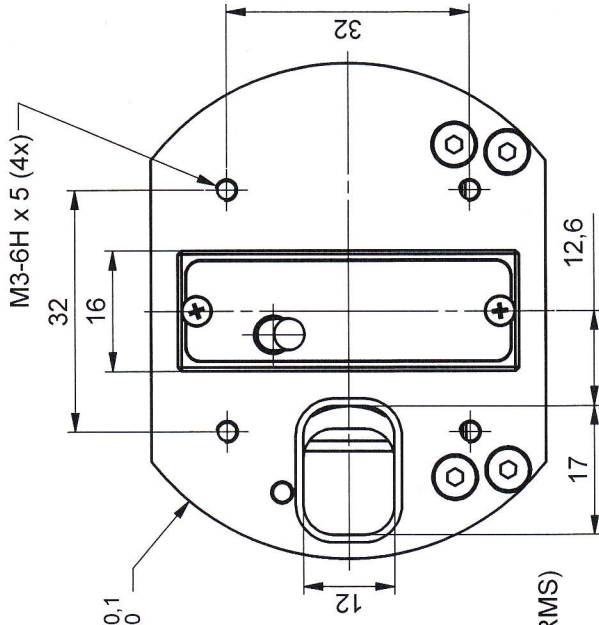
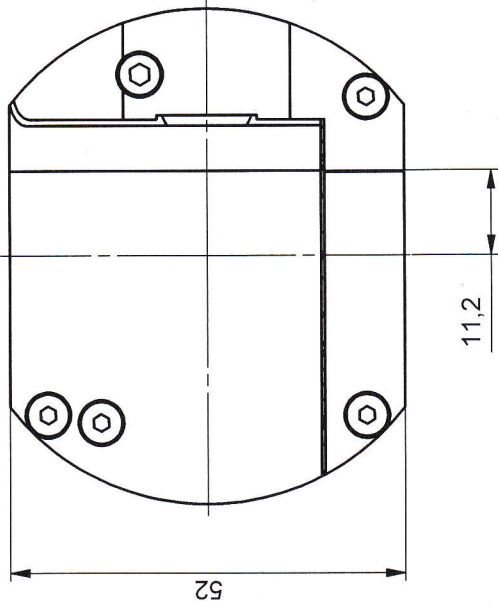
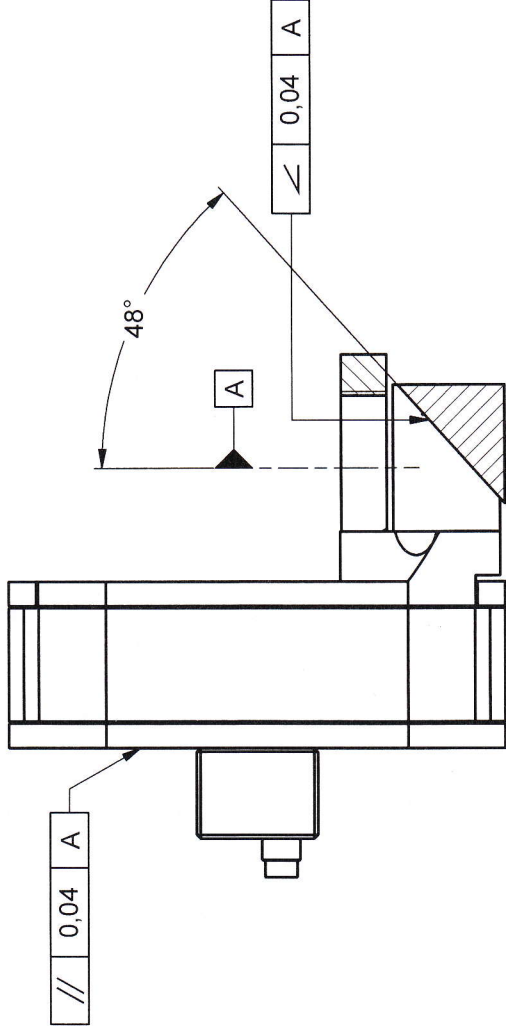


A-A (1:1)



ORIGINAL

part.-no.	S-631-01E	part.-name	nanoX 240 SG EXT BM
file name	PS63101.idw	OK: date/sign.	28. JUL 2011
		scale	M 1:1
			customers drawing piezosystem jena

Bewegung [μm]:
240/200 closed/open loop
($\pm 100/120$)