

Piezocomposite – stack type actuators series PStVS with preload

Series PStVS with casing and preload, diameter 45 mm, 1000 V

Characteristics:

- max. load: 70000 N
- max. force generation: 50000 N (@ max. voltage)
- preload: 6000 N (= max. tensile force)

Applications:

- shock wave generation
- stabilization
- sensor testing
- test and acceleration sensors
- active vibration damping
- fuel injection
- active engine mounting
- as well as all positioning tasks which require high loads and/or extreme accelerations

Options:

- piezo material: HP (high power, high capacitance)
- low temperature modification
- UHV modification
- thermo stable
- cooling fins on request
- SG measurement system
- axial cable exit
- increased preload
- planar/convex output



Image: Stack type actuators series PStVS with different dimensions

Standard configuration

	unit		
cable length	m	1.5	
connector	–	D-Sub 5W1	
ceramic	–	HS/HT	HP*
temperature range	°C/°F	to 200/to 390	to 90/to 190

* optional on request

Piezocomposite – stack type actuators series PStVS with preload

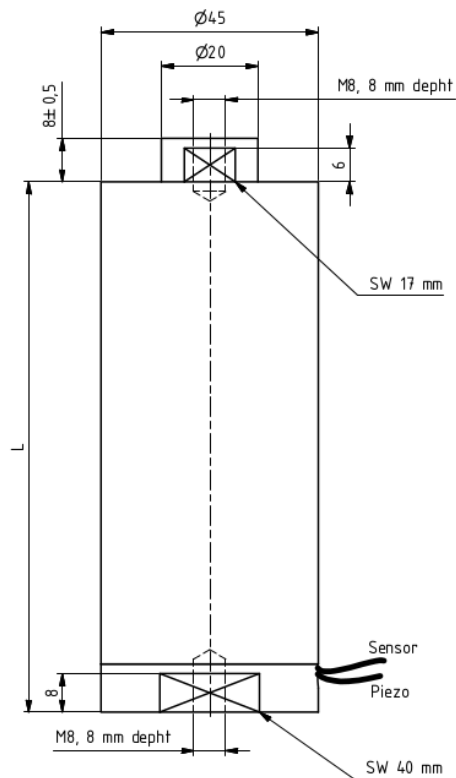
Series PStVS 1000 V, diameter 45 mm

type	max. stroke* [μm]	length [mm]	capacitance [nF]	stiffness** [N/μm]	resonant frequency [kHz]
PSt 1000/35/7 VS45	12/7	33	300	4000	37
PSt 1000/35/20 VS45	27/20	42	800	2000	33
PSt 1000/35/40 VS45	55/40	60	1600	1000	28
PSt 1000/35/60 VS45	80/60	78	2500	600	25
PSt 1000/35/80 VS45	105/80	96	3300	450	21
PSt 1000/35/100 VS45	130/100	114	4100	350	18
PSt 1000/35/125 VS45	160/125	134	4900	300	14
PSt 1000/35/150 VS45	200/150	154	5700	220	7
PSt 1000/35/200 VS45	260/200	194	6500	150	4
PSt 1000/35/>200 VS45	>200			on request	

* Motion at voltage -200 V to 1000/0 V to 1000 V

** Determined with short-circuited actuator respectively connected amplifier.

Drawing:



Rights reserved to change specifications as progress occurs without notice!