

Piezocomposite – stack type actuators series PStVS with preload

Series PStVS with casing and preload, diameter 35 mm, 1000 V

Characteristics:

- max. load :35000 N
- max. force generation 25000 N (@ max. voltage)
- preload: 4000 N (= max. tensile force)

Applications:

- shock wave generation
- stabilizing
- sensor testing
- test and acceleration sensors
- active vibration damping
- fuel injection
- active engine mounting
- as well as all positioning tasks which require high loads and/or extreme accelerations

Options:

- piezo material: HP (high power, high capacitance)
- low temperature modification
- UHV modification
- thermo stable
- cooling fins on request
- SG measurement system
- axial cable exit
- increased preload
- planar/convex output



Image: Stack type actuators, series PStVS with different length

Standard configuration

	unit		
cable length	m	1.5	
connector	–	D-Sub 5W1	
ceramic	–	HS/HT	HP*
temperature range	°C/°F	to 200/to 390	to 90/to 190

* Optional on request

Piezocomposite – stack type actuators series PStVS with preload

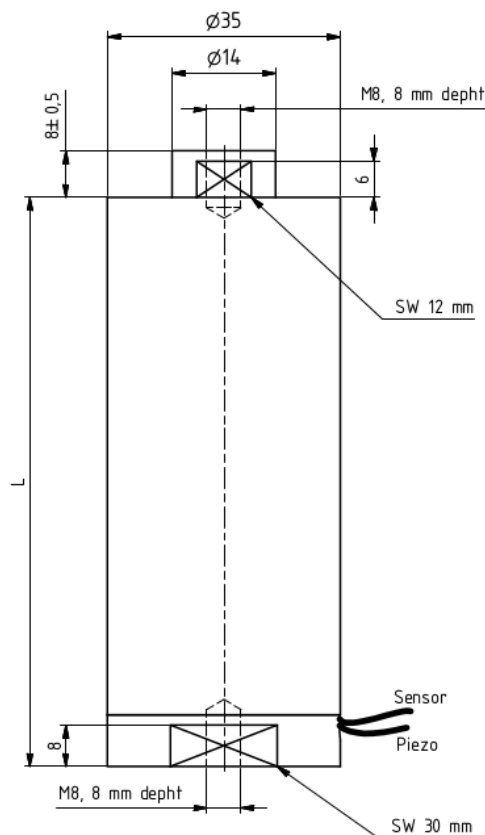
Series PStVS 1000 V, diameter 35 mm

type	max. stroke* [μm]	length [mm]	capacitance [nF]	stiffness** [N/μm]	resonant frequency [kHz]
PSt 1000/25/7 VS 35	12/7	33	140	1800	40
PSt 1000/25/20 VS 35	27/20	42	350	900	35
PSt 1000/25/40 VS 35	55/40	60	800	450	30
PSt 1000/25/60 VS 35	80/60	78	1250	300	27
PSt 1000/25/80 VS 35	105/80	96	1700	200	23
PSt 1000/25/100 VS 35	130/100	114	2150	180	20
PSt 1000/25/125 VS 35	160/125	134	2500	150	15
PSt 1000/25/150 VS 35	200/150	154	3200	120	7
PSt 1000/25/200 VS 35	260/200	194	3700	90	5
PSt 1000/25/>200 VS 35	>200			on request	

* Motion at voltage -200 V to 1000 V/0 V to 1000 V

** Determined with short-circuited actuator respectively connected amplifier.

Drawing:



Rights reserved to change specifications as progress occurs without notice!