

Piezocomposite – stack type actuator series PStVS with preload

Series PStVS with casing and preload, diameter 25 mm, 1000 V

Characteristics:

- max. load: 15000 N
- max. force generation: 12000 N (@ max. voltage)
- preload: 1500 N (= max. tensile force)

Applications:

- shock wave generation
- stabilization
- sensor testing
- test and acceleration sensors
- active vibration damping
- fuel injection
- active engine mounting
- as well as all kinds of positioning tasks which require high loads and/or extreme accelerations

Options:

- piezo material: HP (high power, high capacitance)
- low temperature modification
- UHV modification
- thermo stable
- cooling fins on request
- SG measurement system
- axial cable exit
- increased preload
- planar/convex output



Image: Stack type actuators series PStVS with different length

Standard configuration

	unit		
cable length	m	1.5	
connector	–	D-Sub 5W1	
ceramic	–	HS/HT	HP*
temperature range	°C/°F	to 200/to 390	to 90/to 190

* optional on request

Piezocomposite – stack type actuator series PStVS with preload

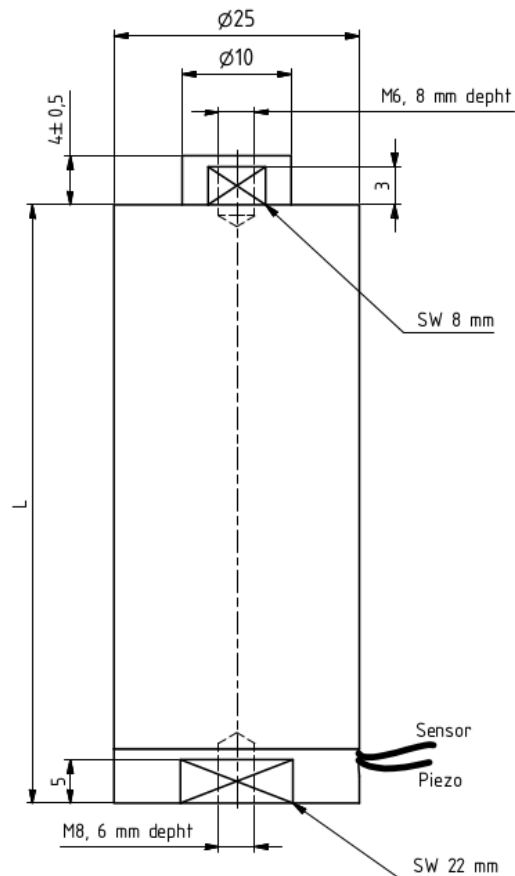
Series PStVS 1000 V, diameter 25 mm

type	max. stroke* [μm]	length [mm]	capacitance [nF]	stiffness** [N/μm]	resonant frequency [kHz]
PSt 1000/16/7 VS25	12/7	29	60	800	40
PSt 1000/16/20 VS25	27/20	35	150	400	35
PSt 1000/16/40 VS25	55/40	53	360	200	30
PSt 1000/16/60 VS25	80/60	71	540	120	27
PSt 1000/16/80 VS25	105/80	89	720	90	23
PSt 1000/16/100 VS25	130/100	107	900	75	20
PSt 1000/16/125 VS25	160/125	127	1100	60	15
PSt 1000/16/150 VS25	200/150	147	1400	50	7
PSt 1000/16/200 VS25	260/200	187	1900	35	4
PSt 1000/16/>200 VS25	>200			on request	

* Motion at voltage -200 V to 1000 V/0 V to 1000 V

** Determined with short-circuited actuator respectively connected amplifier.

Drawing:



Rights reserved to change specifications as progress occurs without notice!