

Piezocomposite – stack type actuators series PStVS with preload

Series PStVS with casing and preload, diameter 18 mm, 1000 V

Characteristics:

- max. load: 5000 N
- max. force generation: 4000 N (@ max. voltage)
- preload: 700 N (= max. tensile force)

Applications:

- shock wave generation
- stabilization
- test and acceleration sensors
- active vibration damping
- fuel injection
- active engine mounting
- as well as all kinds of positioning tasks which require high loads and/or extreme accelerations

Options:

- piezo material HP (high power, high capacitance)
- low temperature modification
- UHV modification
- thermo stable
- cooling fins on request
- SG measurement system
- axial cable exit
- increased preload
- planar/convex output



Image: Stack type actuators series PStVS with different length

Standard configuration

	unit		
cable length	m	1.5	
connector	–	D-Sub 5W1	
ceramic	–	HS/HT	HP*
temperature range	°C/°F	to 200/to 390	to 90/to 190

* optional on request

Piezocomposite – stack type actuators series PStVS with preload

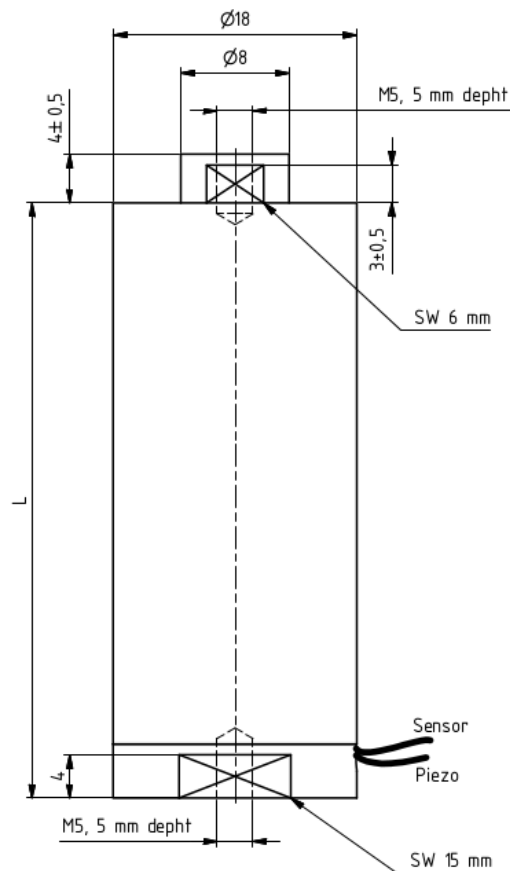
Series PStVS 1000 V, diameter 18 mm

type	max. stroke* [μm]	length [mm]	capacitance [nF]	stiffness** [N/μm]	resonant frequency [kHz]
PSt 1000/10/7 VS18	12/7	24	20	300	40
PSt 1000/10/20 VS18	27/20	33	45	450	35
PSt 1000/10/25 VS18	35/25	42	85	100	30
PSt 1000/10/40 VS18	55/40	51	110	75	27
PSt 1000/10/60 VS18	80/60	69	170	50	23
PSt 1000/10/80 VS18	105/80	87	220	35	20
PSt 1000/10/100 VS18	130/100	105	270	30	15
PSt 1000/10/125 VS18	160/125	125	330	25	10
PSt 1000/10/150 VS18	200/150	145	390	17	5
PSt 1000/10/200 VS18	260/200	185	510	10	3

* Motion at voltage -200 V to 1000 V/0 V to 1000 V

** Determined with short-circuited actuator respectively connected amplifier.

Drawing:



Rights reserved to change specifications as progress occurs without notice!