

Piezocomposite – ring type actuators series HPSt VS with preload

Series HPSt VS with casing and preload, diameter 22 mm, 500 V and 1000 V

Characteristics:

- max. load: 9000 N
- max. force generation: 5500 N (@ max. voltage)
- preload: 400 N (= max. tensile force)
- free opening
- heat abstraction

Applications:

- shock wave generation
- stabilization
- sensor testing
- test and acceleration sensors
- active vibration damping
- fuel injection
- active engine mounting
- as well as all kinds of positioning tasks which require high loads and/or extreme accelerations

Options:

- piezo material: HP (high power, high capacitance)
- low temperature modification
- UHV modification
- thermo stable
- cooling fins on request
- SG measurement system
- increased preload
- axial cable exit

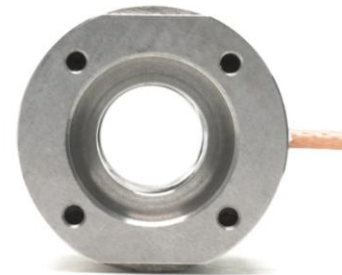


Image: HPSt 500/15–8 VS22 respectively
HPSt 1000/15–8 VS22

Standard configuration

	unit		
cable length	m	1.5	
connector	–	D-Sub 5W1	
ceramic	–	HS/HT	HP*
temperature range	°C/°F	to 200/to 390	to 90/to 190

* optional on request

Piezocomposite – ring type actuators series HPStVS with preload

Series HPStVS 500 V, diameter 22 mm

type	max. stroke* [μm]	length [mm]	capacitance [nF]	stiffness** [N/μm]	resonant frequency [kHz]
HPSt 500/15–8/7 VS22	13/8	26	140	550	30
HPSt 500/15–8/20 VS22	27/20	35	360	280	25
HPSt 500/15–8/25 VS22	35/25	44	520	180	20
HPSt 500/15–8/40 VS22	55/40	53	720	130	15
HPSt 500/15–8/60 VS22	80/60	71	1100	90	12
HPSt 500/15–8/80 VS22	105/80	89	1500	60	10
HPSt 500/15–8/>80 VS22	>80	on request			

* Motion at voltage -100 V to 500 V/0 V to 500 V

** Determined with short-circuited actuator respectively connected amplifier.

Series HPStVS 1000 V, diameter 22 mm

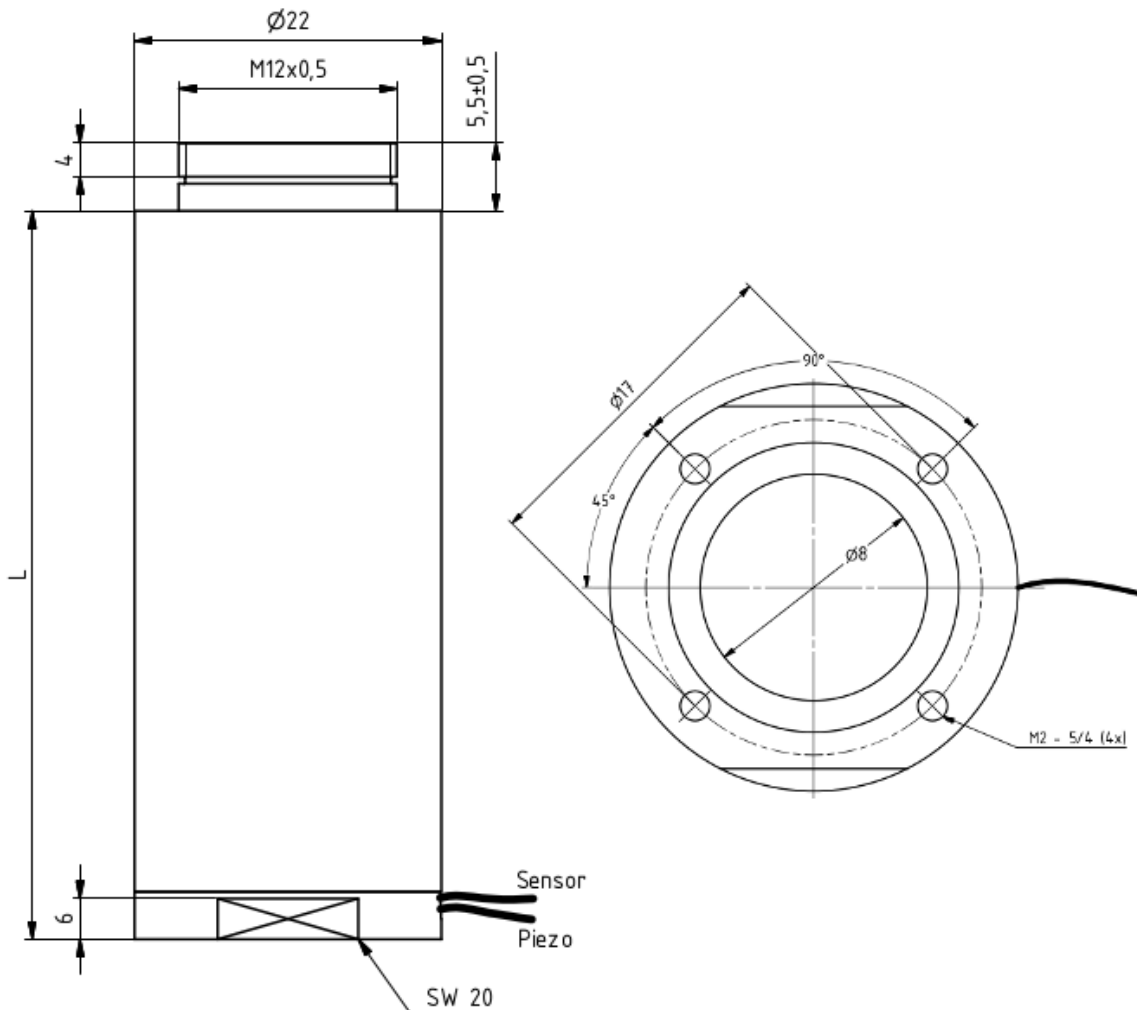
type	max. stroke* [μm]	length [mm]	capacitance [nF]	stiffness** [N/μm]	resonant frequency [kHz]
HPSt 1000/15–8/7 VS22	13/8	26	35	600	35
HPSt 1000/15–8/20 VS22	27/20	35	90	300	27
HPSt 1000/15–8/25 VS22	35/25	44	130	200	22
HPSt 1000/15–8/40 VS22	55/40	53	180	150	17
HPSt 1000/15–8/60 VS22	80/60	71	270	100	14
HPSt 1000/15–8/80 VS22	105/80	89	360	70	12
HPSt 1000/15–8/>80 VS22	>80	on request			

* Motion at voltage -200 V to 1000/0 V to 1000 V

** Determined with short-circuited actuator respectively connected amplifier.

Piezocomposite – ring type actuators series HPStVS with preload

Drawing:



Rights reserved to change specifications as progress occurs without notice!