

Piezocomposite – ring type actuators series HPStVS with preload

Series HPStVS with casing and preload, diameter 18 mm, 500 V and 1000 V

Characteristics:

- max. load: 3500 N
- max. force generation: 2800 N (@ max. voltage)
- preload: 200 N (= max. tensile force)
- free opening
- heat abstraction

Applications:

- shock wave generation
- stabilization
- sensor testing
- test and acceleration sensors
- active vibration damping
- fuel injection
- active engine mounting
- as well as all kinds of positioning tasks which require high loads and/or extreme accelerations

Options:

- piezo material: HP (high power, higher capacitance)
- low temperature modification
- UHV modification
- thermo stable
- cooling fins on request
- SG measurement system
- increased preload
- axial cable exit



Image: HPSt 500/10–5 VS 18 respectively HPSt 1000/10–5 VS 18

Standard configuration

	unit		
cable length	m	1.5	
connector	–	D–Sub 5W1	
ceramic	–	HS/HT	HP*
temperature range	°C/°F	to 200/to 390	to 90/to 190

* optional on request

Piezocomposite – ring type actuators series HPStVS with preload

Series HPStVS 500 V, diameter 18 mm

type	max. stroke* [μm]	length [mm]	capacitance [nF]	stiffness** [N/μm]	resonant frequency [kHz]
HPSt 500/10–5/7 VS18	12/7	24	65	200	30
HPSt 500/10–5/20 VS18	27/20	33	180	100	25
HPSt 500/10–5/25 VS18	35/25	42	260	70	20

* Motion at voltage -100 V to 500 V/0 V to 500 V

** Determined with short-circuited actuator respectively connected amplifier.

Series HPStVS 1000 V, diameter 18 mm

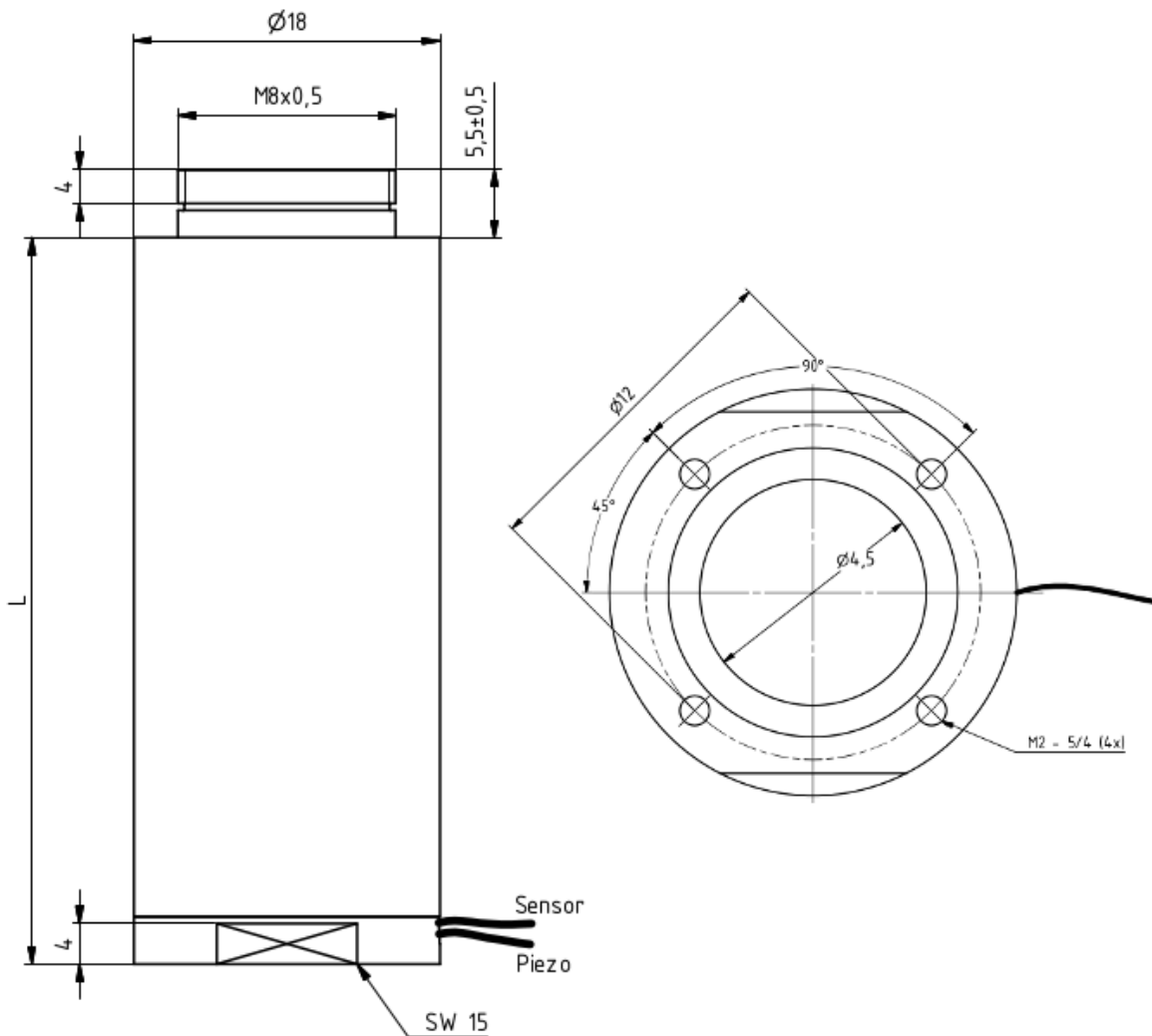
type	max. stroke* [μm]	length [mm]	capacitance [nF]	stiffness** [N/μm]	resonant frequency [kHz]
HPSt 1000/10–5/7 VS18	12/7	24	15	210	35
HPSt 1000/10–5/20 VS18	27/20	33	40	110	27
HPSt 1000/10–5/25 VS18	35/25	42	65	75	22
HPSt 1000/10–5/40 VS18	55/40	54	90	55	20
HPSt 1000/10–5/60 VS18	80/60	69	140	35	17
HPSt 1000/10–5/>60 VS18	>60			on request	

* Motion at voltage -200 V to 1000/0 V to 1000 V

** Determined with short-circuited actuator respectively connected amplifier.

Piezocomposite – ring type actuators series HPStVS with preload

Drawing:



Rights reserved to change specifications as progress occurs without notice!



Tel: +49 (3641) 66880 • U.S. (+1) 508 634 6688
info@piezojena.com
<http://www.piezosystem.com/piezocomposite/>