

Piezocomposite – ring type actuator series HPSt VS with preload

Series HPSt VS with casing and preload, diameter 45 mm, 1000 V

Characteristics:

- max. load: 35000 N
- max. force generation: 20000 N (@ max. voltage)
- preload: 500 N (= max. tensile force)
- free opening
- heat abstraction

Applications:

- laser adjustment
- shock wave generation
- stabilization
- sensor testing
- test and acceleration sensors
- active vibration damping
- fuel injection
- active engine mounting
- as well as all kinds of positioning tasks which require high loads and/or extreme accelerations

Options:

- piezo material HP (high power, higher capacitance)
- low temperature modification
- UHV modification
- thermo stable
- cooling fins on request
- SG measurement system
- increased preload
- axial cable exit

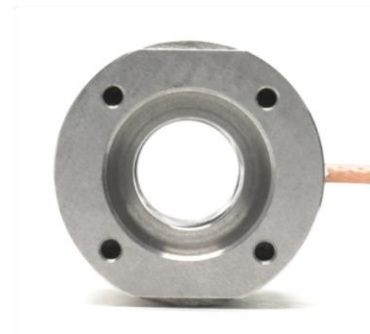


Image: HPSt/1000/35–25 VS45

Standard configuration

	unit		
cable length	m/ft	1.5/4.9	
connector	–	D-Sub 5W1	
ceramic	–	HS/HT	HP*
temperature range	°C/°F	to 200/to 390	to 90/to 190

* Optional on request

Piezocomposite – ring type actuator series HPStVS with preload

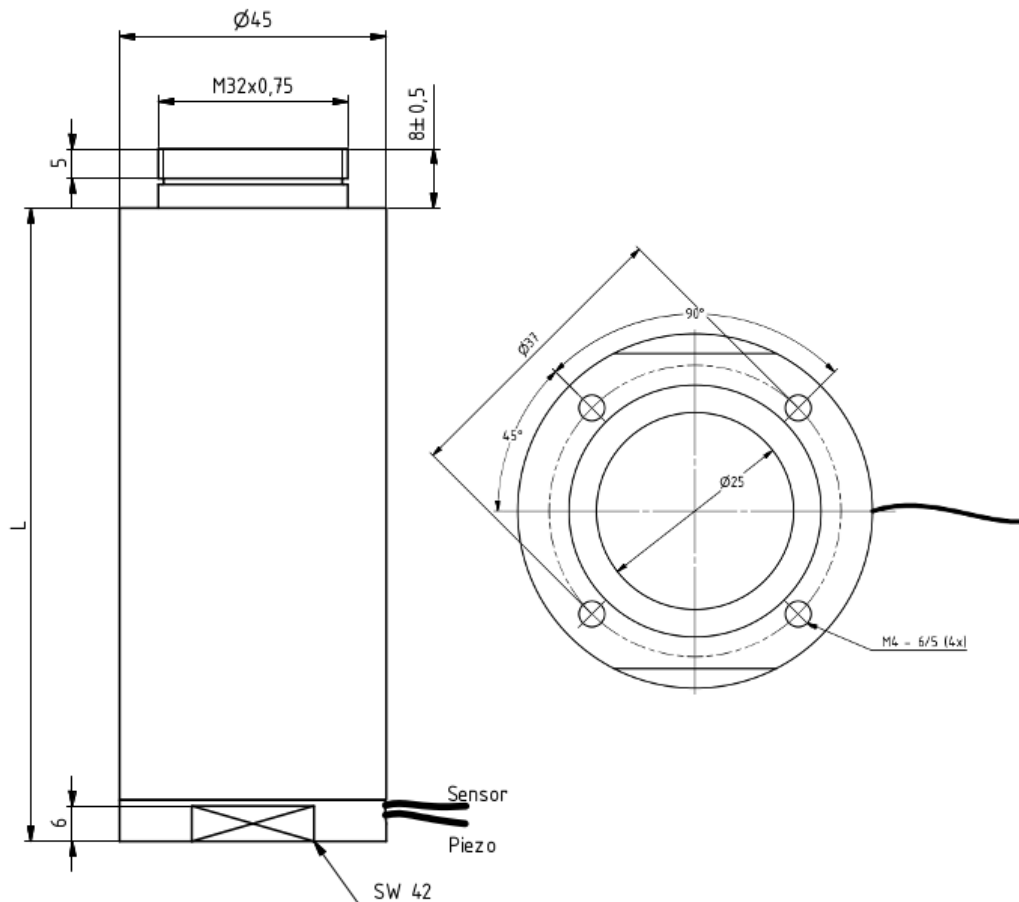
Series HPStVS 1000 V, diameter 45 mm

type	max. stroke* [μm]	length [mm]	capacitance [nF]	stiffness** [N/μm]	resonant frequency [kHz]
HPSt 1000/35–25/7 VS45	12/7	26	120	2000	40
HPSt 1000/35–25/20 VS45	27/20	35	300	1000	30
HPSt 1000/35–25/25 VS45	35/25	44	450	700	25
HPSt 1000/35–25/40 VS45	55/40	53	600	500	20
HPSt 1000/35–25/60 VS45	80/60	71	900	350	15
HPSt 1000/35–25/80 VS45	105/80	89	1300	250	12
HPSt 1000/35–25/100 VS45	130/100	107	1800	160	10
HPSt 1000/35–25/>100 VS45	>100			on request	

* Motion at voltage -200 V to 1000/0 V to 1000 V

** Determined with short-circuited actuator respectively connected amplifier.

Drawing:



Rights reserved to change specifications as progress occurs without notice!