

Piezocomposite – ring type actuator series HPStVS with preload

Series HPStVS with casing and preload, diameter 35 mm, 1000 V

Characteristics:

- max. load: 22000 N
- max. force generation: 13000 N (@ max. voltage)
- preload: 2000 N (= max. tensile force)
- free opening
- heat abstraction

Applications:

- laser adjustment
- shock wave generation
- stabilization
- sensor testing
- test and acceleration sensors
- active vibration damping
- fuel injection
- active engine mounting
- as well as all kinds of positioning tasks which require high loads and/or extreme accelerations

Options:

- piezo material HP (high power, high capacitance)
- low temperature modification
- UHV modification
- thermo stable
- cooling fins on request
- SG measurement system
- increased preload
- axial cable exit



Image: HPSst 1000/25–15 VS35

Standard configuration

	unit		
cable length	m	1.5	
connector	–	D–Sub 5W1	
ceramic	–	HS/HT	HP*
temperature range	°C/°F	to 200/to 390	to 90/to 190

* optional on request

Piezocomposite – ring type actuator series HPSt VS with preload

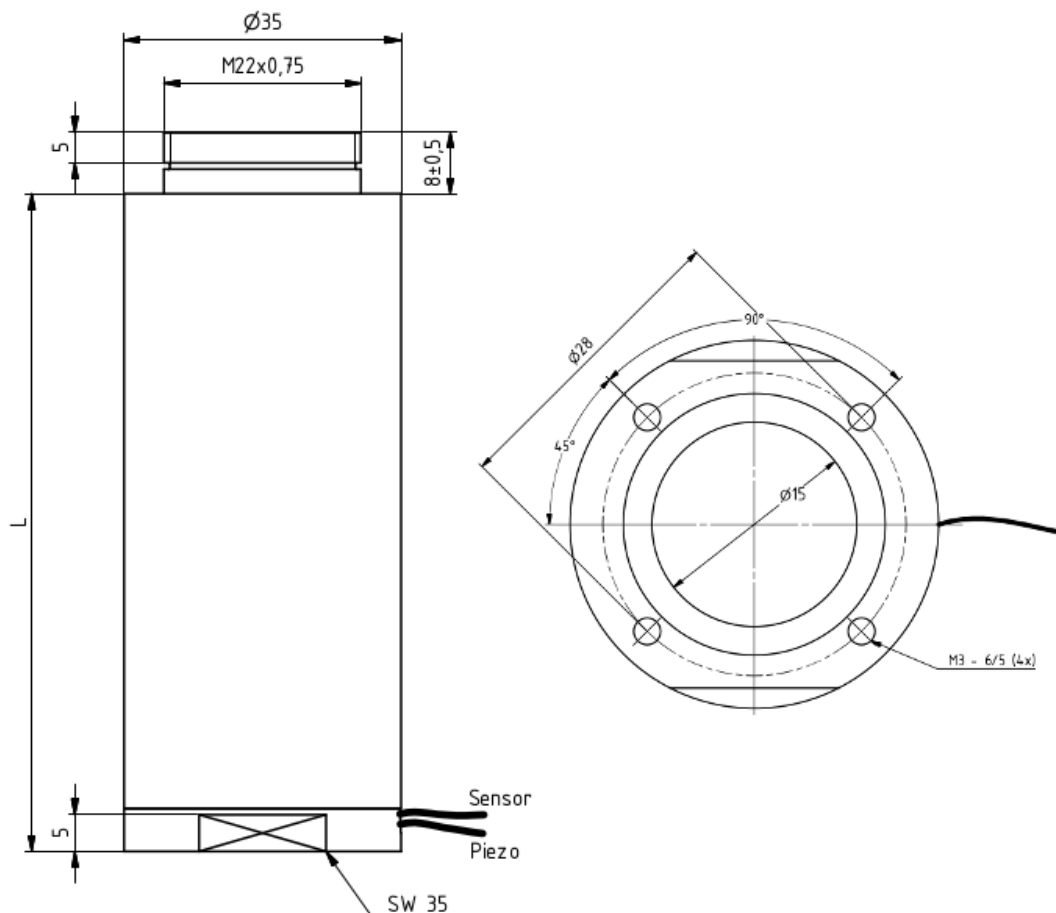
Series HPStVS 1000 V, diameter 35 mm

type	max. stroke* [μm]	length [mm]	capacitance [nF]	stiffness** [N/μm]	resonant frequency [kHz]
HPSt 1000/25–15/7 VS35	13/8	26	85	1200	40
HPSt 1000/25–15/20 VS35	27/20	35	210	600	30
HPSt 1000/25–15/25 VS35	35/25	44	320	400	25
HPSt 1000/25–15/40 VS35	55/40	53	420	300	20
HPSt 1000/25–15/60 VS35	80/60	71	650	180	15
HPSt 1000/25–15/80 VS35	105/80	89	900	130	12
HPSt 1000/25–15/>80 VS35	>80	on request			

* Motion at voltage -200 V to 1000 V/0 V to 1000 V

** Determined with short-circuited actuator respectively connected amplifier.

Drawing:



Rights reserved to change specifications as progress occurs without notice!